

Breville®

Turn **on** your creativity™



2 slice
sandwich toaster

READ CAREFULLY AND KEEP FOR FUTURE REFERENCE

This appliance can be used by children aged from 8 years and above and persons with reduced physical, sensory or mental capabilities or lack of experience and knowledge if they have been given supervision or instruction concerning use of the appliance in a safe way and understand the hazards involved. Children shall not play with the appliance. Cleaning and user maintenance shall not be made by children unless they are older than 8 and supervised.

Keep the appliance and its cord out of reach of children less than 8 years old.

Always allow adequate air space above and on all sides for air circulation. Never use the appliance under cupboards or curtains or other flammable materials.

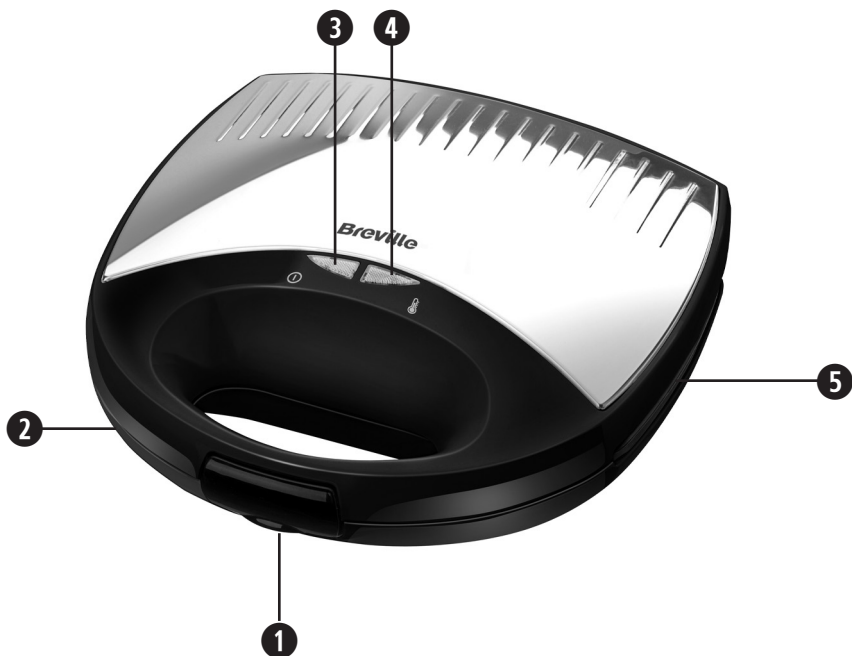
Never operate the appliance by means of an external timer or separate remote-control system.

Do not touch the metal parts of the appliance during use as they may become very hot.

If the supply cord is damaged, it must be replaced by the manufacturer, its service agent or similarly qualified persons in order to avoid a hazard.

- △ Never use this appliance for anything other than its intended use. This appliance is for household use only. Do not use this appliance outdoors.
- △ Always ensure that hands are dry before handling the plug or switching on the appliance.
- △ Always use the appliance on a stable, secure, dry and level surface.
- △ Care is required when using the appliance on surfaces that may be damaged by heat. The use of an insulated pad is recommended.
- △ This appliance must not be placed on or near any potentially hot surfaces (such as a gas or electric hob).
- △ Never let the power cord hang over the edge of a worktop, touch hot surfaces or become knotted, trapped or pinched.
- △ Do not use the appliance if it has been dropped or if there are any visible signs of damage.
- △ Ensure the appliance is switched off and unplugged from the supply socket after use and before cleaning.
- △ Always allow the appliance to cool before cleaning or storing.
- △ Never immerse any part of the appliance or power cord and plug in water or any other liquid.
- △ Never leave the appliance unattended when in use.

features



- 1 Latch - holds the lid firmly closed during cooking
- 2 Carrying handle
- 3 Red power on light
- 4 Green ready-to-cook light
- 5 Non-stick cooking plates with the original Breville cut-and-seal action. Suitable for large or small slices of bread.

Due to our policy of continuous improvement, the actual product may differ slightly from the one illustrated in these instructions.

Before first use

Note that the first time you use your sandwich toaster, you may notice a slight burning smell and a little smoke. This is completely normal and will soon disappear.

- Unpack your sandwich toaster. You may wish to keep the packaging for future use.
- Wipe the cooking plates with absorbent paper or a soft damp cloth.
- Clean the outside of your sandwich toaster with a soft damp cloth which has been wrung almost dry in warm soapy water. The cover can be polished with a soft dry cloth.

Using your sandwich toaster

1. Plug your toaster in to the mains supply socket and switch the socket on if required. The red 'power on' light will light up and your sandwich toaster will start heating up. Pre-heating will take about 6 minutes.
2. When your sandwich toaster is fully heated the green ready-to-cook light will light up. This light will go on and off as your sandwich toaster maintains the right temperature.
3. Lightly brush the cooking plates with sunflower oil or spread the OUTSIDE of the bread with butter or a spread suitable for cooking. Don't use a low fat spread or one which has a high water content.
4. Place the lower slice of bread onto the bottom plate 'buttered' side down. Form a hollow with the back of a spoon and add 1-2 tbsps of the prepared filling. Don't overfill the sandwich or the filling will leak out. Add the top slice of bread buttered side up and close the lid gently and latch it. Take care because your sandwich toaster will be hot!
5. Allow the sandwich to toast for approximately 4-5 minutes. Leave the sandwich in the toaster for more or less time according to taste.
6. Unlatch and open the lid. Watch out for escaping steam—use a tea towel or wear oven gloves. Remove the cooked sandwich with a non-metallic spatula. Don't use a metal blade as this will damage the non-stick surface of the plates.
7. Once cooked, take care when eating, as fillings, especially fruit or tomato, can be very hot.

recipes

Making toasties is easy and fun, they can be as creative or as simple as you like and make great snacks whether eaten at home or on the go.

Using basic ingredients delicious sweet or savoury meals can be made in minutes, perfect for any time of the day.

Here are some classic toasted sandwich recipes that you may wish to try.

- Tuna Melt – tuna, onion, mayonnaise and cheese
- Cheese and tomato
- Cheese, beans and ham
- Turkey, stuffing and cranberry
- Ham, brie, mushrooms and rocket
- Steak and mushrooms
- BLT – bacon, lettuce and tomato
- Bacon and cheese
- Chicken, red pepper and brie
- Sweet chilli chicken
- Sausage and scrambled eggs
- Camembert and cranberry
- Chocolate and banana
- Banana and plum
- Toffee and apple

Pizza Toastie

(makes 2 toasted sandwiches)

- 4 Slices of bread
 - Sundried tomato paste
 - Mozzarella
 - Basil leaves
1. Switch on your sandwich toaster. When the correct temperature is reached, brush the plates with oil, or butter each slice of bread on one side.
 2. Place one piece of bread on each of the bottom plates (butter side down).
 3. Spread some of the sundried tomato paste onto the bread leaving a small distance from the crust.
 4. Sprinkle the mozzarella and basil leaves onto the paste and place another slice of bread on top to form a sandwich (butter side up).
 5. Close the lid and let the sandwich cook until brown.

Experiment with different Pizza toppings such as, pineapple, cooked ham, peppers and olives.

Croque Monsieur

(makes 2 toasted sandwiches)

- 4 slices of bread
 - 2 eggs
 - Milk
 - Ham
 - Cheese
 - Salt and Pepper
1. Thickly butter the sandwich toaster plates and then switch it on to heat up.
 2. Whilst your sandwich toaster is heating, whisk the eggs in a bowl and mix in the milk, salt and pepper.
 3. Dip the bread in the egg mixture and turn it around so that it is completely coated.
 4. Once the sandwich toaster maker has reached temperature, open the lid and then place a piece of soaked bread onto each plate.
 5. Place a layer of ham onto the bread and then a layer of cheese.
 6. Add another piece of bread to each side to form a sandwich and then close the lid. (This recipe may take slightly longer to brown than other toastie recipes).

Smoked Salmon, Cream Cheese and Chives Toastie

(makes 2 toasted sandwiches)

- 4 Slices of bread
 - Smoked salmon
 - Cream cheese
 - Chives
1. Switch on your sandwich toaster. When the correct temperature is reached, brush the plates with oil, or butter each slice of bread on one side.
 2. Place one piece of bread on each of the bottom plates (butter side down).
 3. Spread the cream cheese onto the bread and sprinkle the chives. Add the smoked salmon and place another slice of bread on top to form a sandwich (butter side up).
 4. Close the lid and let the sandwich cook until brown.

Breakfast Toastie

(makes 2 toasted sandwiches)

- 4 Slices of bread
 - Sausage, cooked and sliced
 - Baked beans
 - Mushrooms, cooked and sliced
1. Switch on your sandwich toaster. When the correct temperature is reached, brush the plates with oil, or butter each slice of bread on one side.
 2. Place one piece of bread on each of the bottom plates (butter side down).
 3. Add the sausage, mushrooms and beans making sure you do not over fill the toastie. Place another slice of bread on top to form a sandwich (butter side up).
 4. Close the lid and let the sandwich cook until heated thoroughly and golden brown.

Blueberry Bread and Butter Pudding Toastie

(makes 2 toasted sandwiches)

- 4 slices of white bread
 - 1 medium egg
 - 1 egg white
 - 100 ml of whole milk
 - 75ml of double cream
 - ½ teaspoon of vanilla extract
 - ¼ teaspoon of mixed spice
 - 50g of butter
 - 2 tablespoons of golden syrup
 - 1 large tablespoon of castor sugar
 - 50g of dried blueberries
1. Thickly butter your sandwich toaster plates and then switch it on to heat up.
 2. Whilst your sandwich toaster is heating whisk the egg and the egg white in a bowl until it is foamy. Then mix in the milk, cream, vanilla extract and mixed spice.
 3. Dip the bread in the egg mixture and turn it around so that it is completely coated.
 4. Once your sandwich toaster has reached temperature, open the lid and then place a piece of soaked bread onto each plate.
 5. Sprinkle the blueberries onto each piece of bread and then drizzle with golden syrup.
 6. Add another piece of bread to each side to form a sandwich and then close the lid. (This recipe may take slightly longer to brown than other toastie recipes).

Banoffee Toastie

(makes 2 toasted sandwiches)

- 4 slices of bread
 - Banana – sliced
 - Toffee pieces – small
1. Switch on your sandwich toaster. When the correct temperature is reached, brush the plates with oil, or butter each slice of bread on one side.
 2. Place one piece of bread on each of the bottom plates (butter side down).
 3. Add the toffee pieces and banana slices and arrange evenly across the bread. Place another slice of bread on top to form a sandwich (butter side up).
 4. Close the lid and let the sandwich cook until heated thoroughly and golden brown.

care and cleaning

▲ Unplug and switch off your sandwich toaster and allow it to fully cool down before cleaning it. Do not immerse the main body, cord set or plug in water or liquid of any kind.

Never use steel wool, scouring pads, abrasive cleaners or metallic utensils to clean your sandwich toaster.

1. Before cleaning your sandwich toaster, switch it off and unplug it from the mains supply. Allow it to cool down fully.
2. Wipe the cooking plates with absorbent paper or a soft damp cloth.
3. Clean the outside of your sandwich toaster with a soft damp cloth which has been wrung almost dry in warm soapy water. The cover can be polished with a soft dry cloth.

connection to the mains supply

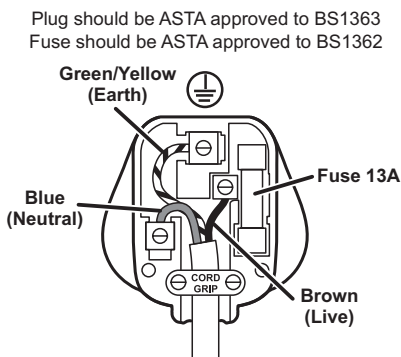
⚠ This appliance must be earthed.

If the plug is not suitable for the socket outlets in your home, it can be removed and replaced by a plug of the correct type.

If the fuse in a moulded plug needs to be changed, the fuse cover must be refitted. The appliance must not be used without the fuse cover fitted.

If the plug is unsuitable, it should be dismantled and removed from the supply cord and an appropriate plug fitted as detailed. If you remove the plug it must not be connected to a 13 amp socket and the plug must be disposed of immediately.

If the terminals in the plug are not marked or if you are unsure about the installation of the plug please contact a qualified electrician.



Ensure that the outer sheath of the cable is firmly held by the cord grip

after sales service

These appliances are built to the very highest of standards. There are no user serviceable parts. Follow these steps if the unit fails to operate:

1. Check the instructions have been followed correctly.
2. Check that the fuse has not blown.
3. Check that the mains supply is functional.

If the appliance will still not operate, return the appliance to the place it was purchased for a replacement. To return the appliance to the Customer Service Department, follow the steps below:

1. Pack it carefully (preferably in the original carton). Ensure the unit is clean.
2. Enclose your name and address and quote the model number on all correspondence.
3. Give the reason why you are returning it.
4. If within the guarantee period, state when and where it was purchased and include proof of purchase (e.g. till receipt).
5. Send it to our Customer Service Department at the address below:

Customer Service Department
Jarden Consumer Solutions (Europe) Limited
Middleton Road, Royton, Oldham OL2 5LN, UK.
Telephone: 0161 621 6900 Fax: 0161 626 0391
e-mail: enquiriesEurope@jardencs.com

Replacement parts

For additional or replacement parts, please visit www.breville.co.uk or call us on **0161 621 6900**.

Troubleshooting

For troubleshooting and FAQs visit www.breville.co.uk/faqs

Turn on your Creativity™

Let the Breville® team help you turn on your creativity with a gateway to a world of food and drinks without limits. You don't have to travel far—just to your computer, tablet or mobile—where you will discover our FREE website with top tips and recipes to inspire your imagination. Join us now at www.turnonyourcreativity.com

Turn  your creativity™

Please keep your receipt as this will be required for any claims under this guarantee.

This appliance is guaranteed for 1 year after your purchase as described in this document.

During this guaranteed period, if in the unlikely event the appliance no longer functions due to a design or manufacturing fault, please take it back to the place of purchase, with your till receipt and a copy of this guarantee.

The rights and benefits under this guarantee are additional to your statutory rights, which are not affected by this guarantee. Only Jarden Consumer Solutions (Europe) Limited (“JCS (Europe)”) has the right to change these terms.

JCS (Europe) undertakes within the guarantee period to repair or replace the appliance, or any part of appliance found to be not working properly free of charge provided that:

- you promptly notify the place of purchase or JCS (Europe) of the problem; and
- the appliance has not been altered in any way or subjected to damage, misuse, abuse, repair or alteration by a person other than a person authorised by JCS (Europe).

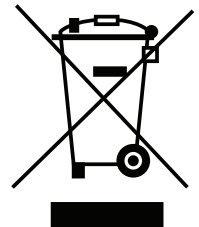
Faults that occur through, improper use, damage, abuse, use with incorrect voltage, acts of nature, events beyond the control of JCS (Europe), repair or alteration by a person other than a person authorised by JCS (Europe) or failure to follow instructions for use are not covered by this guarantee. Additionally, normal wear and tear, including, but not limited to, minor discoloration and scratches are not covered by this guarantee.

The rights under this guarantee shall only apply to the original purchaser and shall not extend to commercial or communal use.

If your appliance includes a country-specific guarantee or warranty insert please refer to the terms and conditions of such guarantee or warranty in place of this guarantee or contact your local authorized dealer for more information.

Waste electrical products should not be disposed of with Household waste. Please recycle where facilities exist. E-mail us at enquiriesEurope@jardencs.com for further recycling and WEEE information.

Jarden Consumer Solutions (Europe) Limited
5400 Lakeside
Cheadle Royal Business Park
Cheadle
SK8 3GQ
UK



Breville®

Jarden Consumer Solutions (Europe) Limited
Cheadle Royal Business Park, Cheadle, SK8 3GQ, United Kingdom
e-mail: enquiriesEurope@jardencs.com
Telephone: 0161 621 6900

For Customer Service details, please see the website.

www.breville.co.uk

© 2014 Jarden Consumer Solutions (Europe) Limited

All rights reserved. Imported and distributed by Jarden Consumer Solutions (Europe) Limited,
Cheadle Royal Business Park, Cheadle, SK8 3GQ, United Kingdom.

The product supplied may differ slightly from the one illustrated due to continuing product development.

Printed in China