

Breville®



digital
TECHnique
instructions for use

READ CAREFULLY AND KEEP FOR FUTURE REFERENCE

This product can be used by children aged 8 years and above, and persons who require supervision, provided:

- they are familiar with the hazards associated with the product, and,
- they receive instruction by a competent person on how to safely use the product.

Children must not play with the product. Cleaning and user maintenance must not be done by children unless they are supervised.

Keep the appliance and its cord out of reach of children less than 8 years old when it is switched on or cooling down.

The appliance must not be left unattended when it is connected to the mains supply.

The appliance must be unplugged from the mains supply socket before filling the water tank with water.

Always use the appliance on a stable, secure, dry and level surface. When placing the appliance on its stand, ensure that the surface on which the stand is placed is stable.

Do not use the appliance if it has been dropped, if there are any visible signs of damage or if it is leaking.

If the supply cord is damaged, it must be replaced by the manufacturer, its service agent or similarly qualified persons in order to avoid a hazard.

- △ Never use this appliance for anything other than its intended use. This appliance is for household use only. Do not use this appliance outdoors.
- △ Always ensure that hands are dry before handling the plug or switching on the appliance.
- △ Do not touch the metal parts of the appliance during use as they may become very hot.
- △ This appliance must not be placed on or near any potentially hot surfaces (such as a gas or electric hob).
- △ Always allow the appliance to cool before cleaning or storing.
- △ Never immerse any part of the appliance or power cord and plug in water or any other liquid.
- △ Never let the power cord hang over the edge of a worktop, touch hot surfaces or become knotted, trapped or pinched.
- △ This appliance produces steam which can cause burns. Handle with care especially when using the vertical steam feature. Never direct steam at persons or animals.
- △ Ensure the appliance is switched off and unplugged from the supply socket before filling or emptying the water tank, after use and before cleaning.

▲ Remove all packaging including any soleplate protection before operating your iron.

Wipe over the soleplate with a cloth moistened with methylated spirit. Remove the methylated spirit with a damp cloth then dry the soleplate thoroughly.

Position your steam generator iron horizontally on your ironing board (if it is large enough) or on a heat resistant and secure surface at the same height as your ironing board.

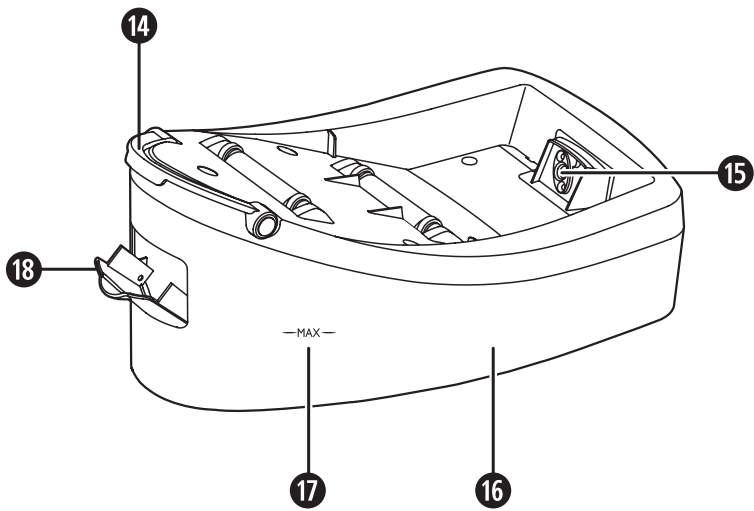
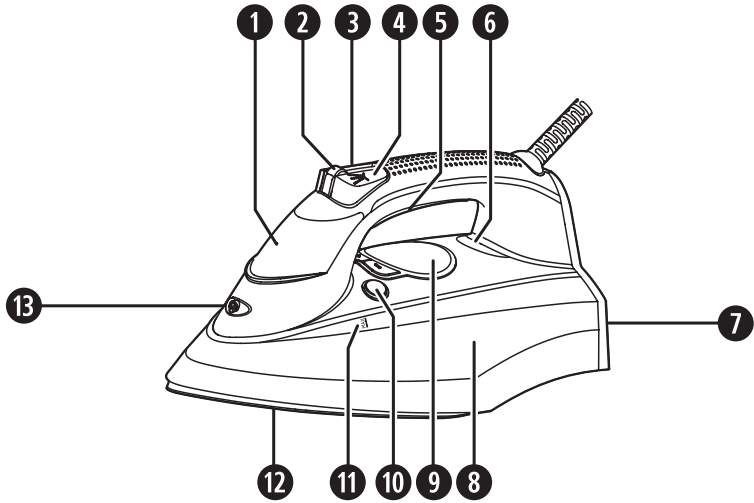
Before connecting your iron to the mains supply, make sure your supply voltage is the same as the one indicated on your iron.

When you first use your iron, there may be a slight odour and it may smoke slightly for the first few minutes of operation. This is quite normal and will disappear.

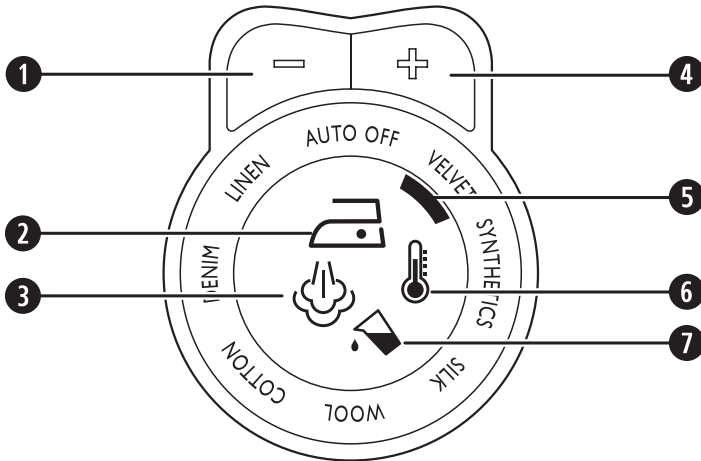
When you first use your iron, iron an old towel to ensure that any residues inside the iron are not transferred to your laundry.

features

- 1 Filling port**
Allows you to fill the water tank of your iron when it is used without the filling dock.
- 2 Steam control**
- 3 Shot of steam button**
- 4 Spray button**
- 5 ECO switch**
The ECO switch ensures that steam is only produced when it is needed and is activated when you grip the handle of your iron.
- 6 Auto fill indicator light**
Active when you are using the filling dock, the light illuminates when your iron is automatically filling itself.
- 7 Heel**
- 8 Water tank**
The water tank illuminates when your iron is plugged into a supply socket.
- 9 Temperature controls and LCD display**
- 10 Self clean feature button**
- 11 Water tank MAX water level marking**
- 12 Premium nano finish soleplate**
- 13 Spray nozzle**
- 14 Storage clip**
Fixes the iron to the filling dock for easy transportation or storage.
- 15 Water outlet**
When your iron is placed onto the filling dock, water is automatically pumped from the water outlet until your iron's water tank is full.
- 16 Filling dock**
Large 1.4 litre water capacity automatically keeps your iron's water tank topped up.
- 17 Filling dock MAX water level marking**
- 18 Water filling port**



controls and lcd display

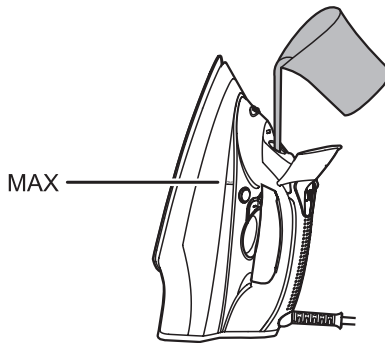


- 1 Temperature decrease button**
Used to select a lower ironing temperature
- 2 Equivalent dot symbol**
Shows the equivalent international dot setting for the fabric type selected
- 3 Steam symbol**
The steam symbol will appear when your iron is capable of producing steam.
- 4 Temperature increase button**
Used to select a higher ironing temperature
- 5 Cursor**
Appears opposite the currently selected fabric type. During auto-off, a second cursor will flash opposite the AUTO OFF marking.
- 6 Temperature indicator symbol**
The temperature indicator symbol will flash when the iron is heating up or cooling down. When the symbol stops flashing, the selected temperature has been reached.
- 7 Dry tank symbol**
The symbol will disappear when there is the maximum amount of water in your iron's water tank. If you need to refill, you can either unplug then fill your iron through the filling port, or place it onto the filling dock where it will be refilled automatically.

⚠ Never add fabric conditioner, starches or any other chemicals to the water in your iron. Ensure your iron is switched off and unplugged from the mains supply socket before filling it directly. Do not use demineralised or deionised water to fill your iron as this may prevent some features from operating correctly.

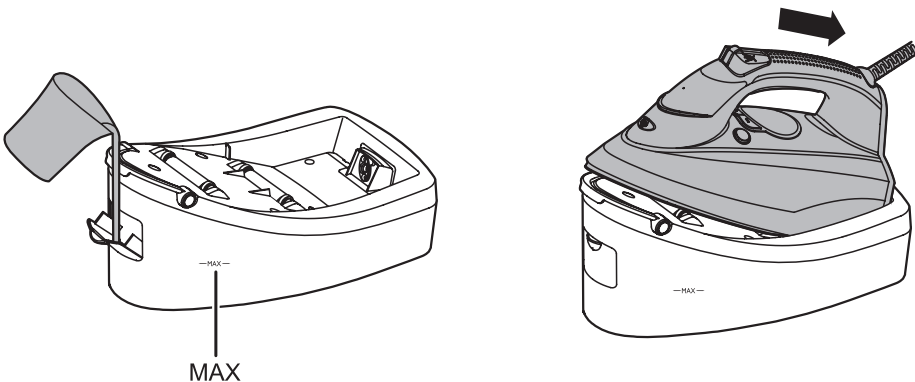
If you are only using your iron to steam iron small amounts, you can fill the water tank directly.

1. Set the steam control to the no steam position (☒).
2. Open the water tank inlet cover and fill the water tank with **ordinary tap water**.
3. Only fill to the MAX marking. Check the water level by standing your iron on its heel.
4. When your iron is filled, close the water tank inlet cover.



For prolonged steam ironing, use the filling dock.

1. Open the water filling port on the filling dock.
2. Fill to the MAX marking with **ordinary tap water**.
3. Place the filling dock on a **flat and level** surface. Place your iron onto the filling dock ensuring that your iron correctly mates with the water outlet. The auto fill indicator on your iron will light and your iron will automatically pump water from the filling dock into its water tank until it is full.



using your iron

We recommend that you:

- Start by ironing those items of laundry that require the lowest temperature (e.g. synthetics). Finish by ironing fabrics which respond best to higher temperatures and steam—such as cotton and linen.
- If you iron a fabric made of a blend of fibres set the temperature of your iron to the most delicate fibre.
- When using starch, it should be sprayed onto the reverse side of the fabric and the soleplate cleaned more frequently.
- Do not iron over sharp or hard objects such as buttons, studs or zippers as they will scratch the soleplate of your iron.

Important

When you change the temperature setting of your iron from a high setting to a lower one, the temperature will still be at the higher setting. You must allow your iron to cool sufficiently before ironing at the lower setting. To ensure that your iron has reached the lower temperature and is not too hot, wait until the temperature indicator symbol (🔥) stops flashing before ironing.

For example, you have been ironing using the LINEN setting and wish to change to the WOOL setting:

1. Press the decrease temperature select button to select the WOOL setting. The temperature indicator symbol will flash as your iron cools down.
2. Wait until the temperature indicator symbol stops flashing. Your iron has now cooled to the correct temperature.

Auto off function

⚠ ALWAYS disconnect your iron from the mains supply socket after use. NEVER leave the iron unattended with the auto off function in operation.

The iron will shut off if it has not been used for 10 minutes when resting on its heel or after 30 seconds with the iron resting on its soleplate. The AUTO OFF cursor will appear flashing on the display and your iron will beep. This sequence will be repeated whilst the iron is in auto shut-off mode. To restart the iron, gently move it until the AUTO OFF cursor turns off.

Ironing without steam

If you intend to dry-iron fabrics there is no need to fill the water tank. However, if water is already in the water tank, you do not need to empty it.

1. Set the steam control to the no steam (☞) position.
2. The temperature indicator symbol (🔥) will flash as your iron heats up.
3. When temperature indicator symbol stops flashing your iron is at the correct temperature.

Steam ironing

▲ During steam ironing, if you do not allow your iron to reach the selected temperature water may drip from the soleplate.

It is recommended that for harder to iron fabrics such as cotton and linen, steam should be used when ironing.

When ironing cotton and linen, always select the highest temperature. Steam should never be used on delicate fabrics like nylons, acrylics and synthetics.

1. Make sure your iron is at least a quarter of a tank full of water—see *filling* on page 7.
2. Plug your iron into the mains supply and switch on.
3. Your iron will only produce steam when the temperature is set to either WOOL, COTTON, DENIM or LINEN.
4. The temperature indicator symbol (🔥) will flash as your iron heats up. When it stops flashing your iron is at the correct temperature. The steam icon (☁) will appear when your iron is capable of producing steam.
5. Set the desired amount of steam by sliding the steam control anywhere between the no steam position (☞) and the maximum steam position (☛).
6. The steam can be shut off at any time by setting the steam control to the no steam (☞) position.
7. To save energy, your iron will only produce steam when you are holding the handle and the Eco switch is therefore activated.

Burst of steam

Your iron will only produce steam when the temperature is set to either WOOL, COTTON, DENIM or LINEN. Wait several seconds between each press of the steam button.

Press the shot of steam button whenever you have a stubborn crease that needs extra steam. Steam will burst from the holes in the soleplate of your iron into the fabric.

using your iron

Vertical steam ironing

▲ Never iron garments when they are being worn.

Your iron can be used for vertical steam ironing curtains, dresses on hangers etc.

1. Make sure your iron has at least a quarter of a tank full of water—see *filling* on page 7.
2. Plug your iron into the mains supply and switch on.
3. Your iron will only produce steam when the temperature is set to either WOOL, COTTON, DENIM or LINEN.
4. The temperature indicator symbol (🔥) will flash as your iron heats up. When it stops flashing your iron is at the correct temperature. The steam icon (💧) will appear when your iron is capable of producing steam.
5. Set the steam control to the maximum steam position (🔊). Hold your iron 15cm (6 inches) from the fabric.
6. Press the shot of steam button. The steam will penetrate the fabric removing the creases. To apply more steam press the shot of steam button again. Wait several seconds between each press of the button.
7. To save energy, your iron will only produce steam when you are holding the handle.

Spraying

The spray function will only operate when there is water in the water tank.

1. The water spray can be used to help iron heavy fabrics or difficult areas (collars, pockets, sleeves, creases, etc). It can also be used when ironing delicate fabrics which cannot be steam ironed.
2. Simply press the button as required to produce a spray of water. If the spray is being used for the first time, or if the iron has been standing for some time, you may need to press the spray button a few times before it works correctly.

Anti-drip feature

When the temperature of your iron is insufficient to create steam, the supply of water is cut off automatically to avoid any drips from the soleplate.

Anti-scale filter

Your iron is fitted with an anti-scale filter. This filter is fixed and cannot be removed for cleaning. The filter is designed to reduce the build-up of limescale inside your iron. Limescale occurs during steam ironing due to water hardness. Water hardness varies from one area to another. The effectiveness of the filter will depend on how 'hard' your water is.

⚠ Do not use harsh abrasives, chemical cleaners or solvents to clean the exterior of your iron because they will damage the surface.

Cleaning the soleplate of your Iron

After each use, allow your iron to completely cool down before wiping the soleplate with a soft damp cloth. If polyester has burnt to the soleplate, iron a damp cotton cloth while your iron is still hot. If necessary, allow your iron to completely cool down then wipe over the soleplate with a soft cloth moistened with methylated spirits. Remove the methylated spirit with a damp cloth. Make sure that the soleplate is completely dry.

Self-cleaning

⚠ Only press the self-clean button when you want to activate the self cleaning system. Never press the self-clean button when ironing.

1. The self-clean function removes scale and impurities. Use the self-clean function once every two weeks. If the water in your area is very hard, the self clean function should be used more frequently.
2. Ensure the iron is switched off and unplugged from the mains supply socket.
3. Set the steam control to the no steam position (☞).
4. Fill the iron with water to the MAX fill level.
5. Stand the iron on its heel rest, plug in and switch on at the mains supply.
6. Select the LINEN fabric setting using the temperature increase button.
7. The temperature indicator symbol (🔥) will flash as your iron heats up. When it stops flashing your iron is at the correct temperature. The steam icon (☁) will appear when your iron is capable of producing steam.
8. Unplug the iron and hold it over a sink with the sole-plate facing downwards.
9. Press the 'SELF CLEAN' button. Hot water and steam will be ejected from the holes in the soleplate, along with any impurities.
10. Release the 'SELF CLEAN' button after one minute or when the water tank is empty.
11. Stand the iron on its heel rest, plug into the supply and switch on. When the temperature indicator icon stops flashing, iron an old piece of cloth to allow any remaining water to escape.
12. After use, switch off and unplug your iron at the mains supply and allow it to cool fully. Empty out any remaining water.

care and cleaning

Cleaning the exterior

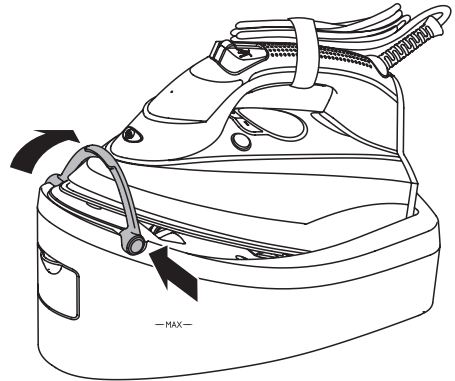
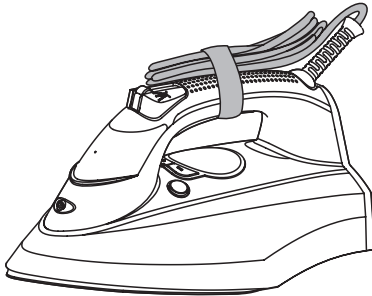
To clean the exterior of your iron, wipe over with a damp soft cloth and wipe dry. Ensure the soleplate is dry.

Cleaning the steam holes

To remove build-up from the steam holes which may affect steam performance, use a cotton wool tip moistened in methylated spirits. Wipe over with a damp cloth.

Storing your iron

- Switch the mains supply socket off and remove the plug.
- When your iron has completely cooled down, empty the remaining water from the tank.
- Secure the mains cord to the handle using the hook and loop cable strap as shown.
- Place your iron onto the filling dock and secure it using the storage clip as shown.
- To release the storage clip, press the button on the side of the clip.



connection to the mains supply

⚠ This appliance must be earthed.

This appliance is fitted with either a moulded or rewirable BS1363, 13 amp plug. The fuse should be rated at 13 amps and be ASTA approved to BS1362.

If the fuse in a moulded plug needs to be changed, the fuse cover must be refitted. The appliance must not be used without the fuse cover fitted.

If the plug is unsuitable, it should be dismantled and removed from the supply cord and an appropriate plug fitted as detailed below. If you remove the plug it must not be connected to a 13 amp socket and the plug must be disposed of immediately.

The wires of the mains lead are coloured in accordance with the following code:

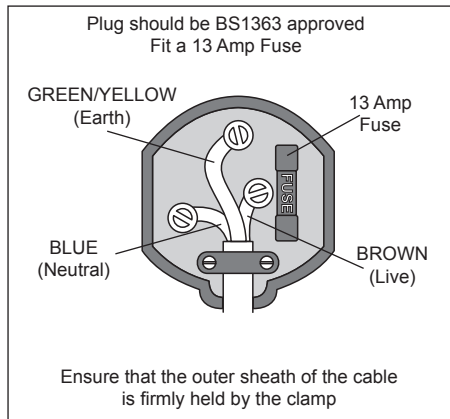
GREEN/YELLOW = EARTH BLUE = NEUTRAL BROWN = LIVE

The wire which is coloured GREEN/YELLOW must be connected to the terminal in your plug which is marked with an E or by the earth symbol (\perp) or coloured GREEN or GREEN /YELLOW.

The wire which is coloured BLUE must be connected to the terminal in your plug which is marked with the letter N or coloured BLACK.

The wire which is coloured BROWN must be connected to the terminal in your plug which is marked with the letter L or coloured RED.

If any other plug is used, a 13 amp fuse must be fitted either in the plug or adaptor or at the distributor board.



after sales service

These appliances are built to the very highest of standards. There are no user serviceable parts. Follow these steps if the unit fails to operate:

1. Check the instructions have been followed correctly.
2. Check that the fuse has not blown.
3. Check that the mains supply is functional.

If the appliance will still not operate, return the appliance to the place it was purchased for a replacement. To return the appliance to the Customer Service Department, follow the steps below:

1. Pack it carefully (preferably in the original carton). Ensure the unit is clean.
2. Enclose your name and address and quote the model number on all correspondence.
3. Give the reason why you are returning it.
4. If within the guarantee period, state when and where it was purchased and include proof of purchase (e.g. till receipt).
5. Send it to our Customer Service Department at the address below:

Customer Service Department
Jarden Consumer Solutions (Europe) Limited
Middleton Road
Royton
Oldham
OL2 5LN, UK.
Telephone: 0161 621 6900 Fax: 0161 626 0391
e-mail: info@pulse-uk.co.uk

Please keep your receipt as this will be required for any claims under this guarantee.

This appliance is guaranteed for 1 year after your purchase as described in this document.

During this guaranteed period, if in the unlikely event the appliance no longer functions due to a design or manufacturing fault, please take it back to the place of purchase, with your till receipt and a copy of this guarantee.

The rights and benefits under this guarantee are additional to your statutory rights, which are not affected by this guarantee. Only Jarden Consumer Solutions (Europe) Limited. ("JCS (Europe)") has the right to change these terms.

JCS (Europe) undertakes within the guarantee period to repair or replace the appliance, or any part of appliance found to be not working properly free of charge provided that:

- you promptly notify the place of purchase or JCS (Europe) of the problem; and
- the appliance has not been altered in any way or subjected to damage, misuse, abuse, repair or alteration by a person other than a person authorised by JCS (Europe).

Faults that occur through, improper use, damage, abuse, use with incorrect voltage, acts of nature, events beyond the control of JCS (Europe), repair or alteration by a person other than a person authorised by JCS (Europe) or failure to follow instructions for use are not covered by this guarantee. Additionally, normal wear and tear, including, but not limited to, minor discoloration and scratches are not covered by this guarantee.

The rights under this guarantee shall only apply to the original purchaser and shall not extend to commercial or communal use.

If your appliance includes a country-specific guarantee or warranty insert please refer to the terms and conditions of such guarantee or warranty in place of this guarantee or contact your local authorized dealer for more information.

Waste electrical products should not be disposed of with Household waste. Please recycle where facilities exist. E-mail us at info@pulse-uk.co.uk for further recycling and WEEE information.

Jarden Consumer Solutions (Europe) Limited.

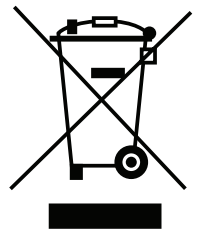
Middleton Road

Royton

Oldham

OL2 5LN

UK





©2013 Jarden Consumer Solutions (Europe) Limited

All rights reserved. Imported and distributed by Jarden Consumer Solutions (Europe) Limited,
Royton, Oldham OL2 5LN, United Kingdom.

Jarden Consumer Solutions (Europe) Limited is a subsidiary of Jarden Corporation (NYSE:JAH).

Made in PRC