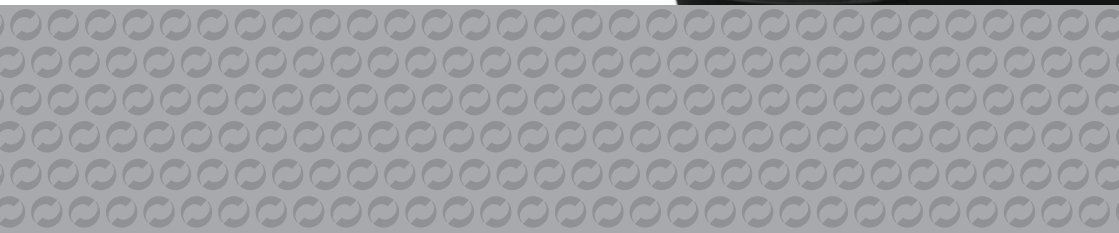


Breville



2000W **steam generator**

instruction booklet





Please read these instructions before operating the appliance and retain them for future use.

- △ This product is not suitable for use by children, and may not be suitable for persons requiring supervision unless they receive instruction by a competent person on how to safely use the product.
- △ Children should be supervised to ensure that they do not play with the product.
- △ Never use this appliance for anything other than its intended use. This appliance is for household use only. Do not use this appliance outdoors.
- △ Always ensure that hands are dry before handling the plug or switching on the appliance.
- △ Never leave the appliance unattended when it is connected to the mains supply.
- △ Never leave the appliance unattended until it has cooled down completely.
- △ This appliance produces steam which can cause burns. Handle with care especially when using the vertical steam feature. Never direct steam at persons or animals.
- △ Ensure the appliance is switched off and unplugged from the supply socket before filling or emptying the water tank, after use and before cleaning.
- △ Do not use the appliance if it has been dropped, if there are any visible signs of damage or if it is leaking.
- △ Always use the appliance on a stable, secure, dry and level surface. When placing the appliance on its stand, ensure that the surface on which the stand is placed is stable.
- △ Do not touch the metal parts of the appliance during use as they may become very hot.
- △ This appliance must not be placed on or near any potentially hot surfaces (such as a gas or electric hob).
- △ The power cord is not replaceable by the user. Always return the appliance if the power cord is damaged to avoid any hazard.
- △ Always allow the appliance to cool before cleaning or storing.
- △ Never immerse any part of the appliance or power cord and plug in water or any other liquid.
- △ Never let the power cord hang over the edge of a worktop, touch hot surfaces or become knotted, trapped or pinched.



▲ Remove all packaging including any soleplate protection before operating your steam generator.

Wipe over the soleplate with a soft cloth.

Position your steam generator iron horizontally on your ironing board (if it is large enough) or on a heat resistant and secure surface at the same height as your ironing board.

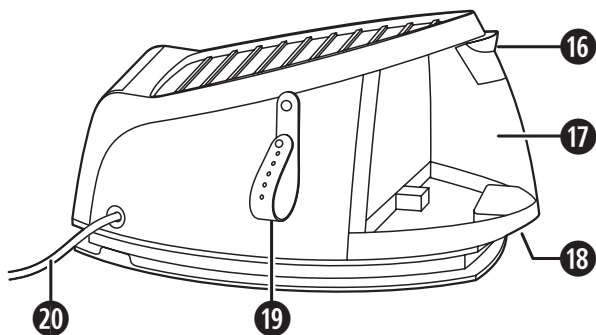
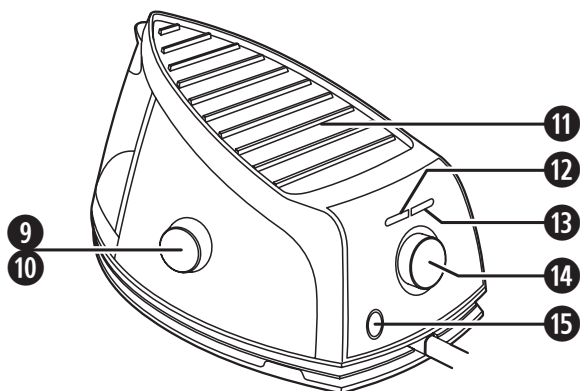
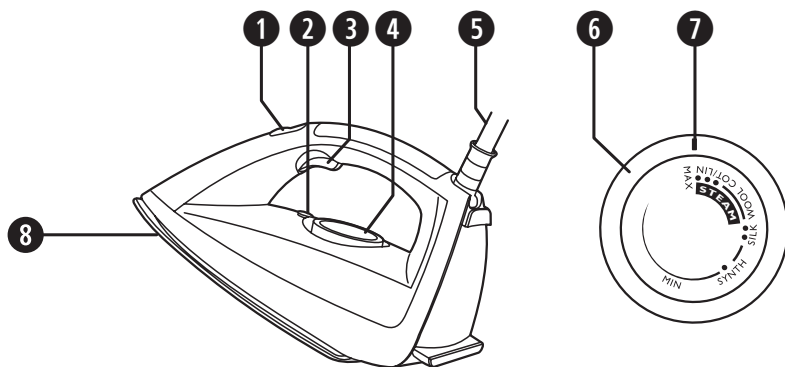
Before connecting your steam generator to the mains supply, make sure your supply voltage is the same as the one indicated on your steam generator.

When you first use your steam generator, there may be a slight odour and it may smoke slightly for the first few minutes of operation. This is quite normal and will disappear.

When you first use your steam generator, iron an old towel to ensure that any residues inside the iron are not transferred to your laundry.

features

1. Steam lock button
2. Temperature indicator light
3. Steam trigger
4. Temperature control
5. Steam hose
6. Temperature control ring
7. Temperature control pointer
8. Ceramic finish soleplate
9. Boiler rinse plug cover
10. Boiler rinse plug (underneath the rinse plug cover)
11. Iron rest
12. Low water indicator light
13. Steam indicator light
14. Steam control
15. On/off button
16. Water tank filling cover
17. Water tank
18. Water tank release button
19. Mains power cord storage strap
20. Mains power cord



Due to our policy of continuous improvement, the actual product may differ slightly from the one illustrated in these instructions.

filling your steam generator

▲ Never add fabric conditioner, starches or any other chemicals to the water in your steam generator. Use cold tap water only in your steam generator.

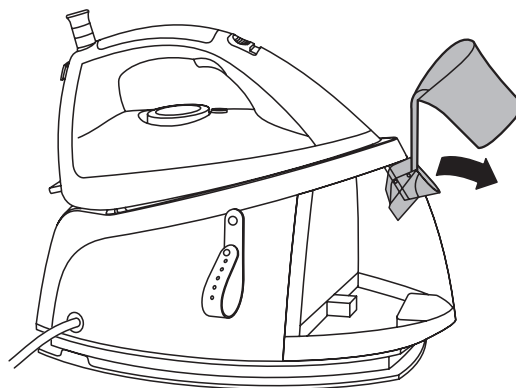
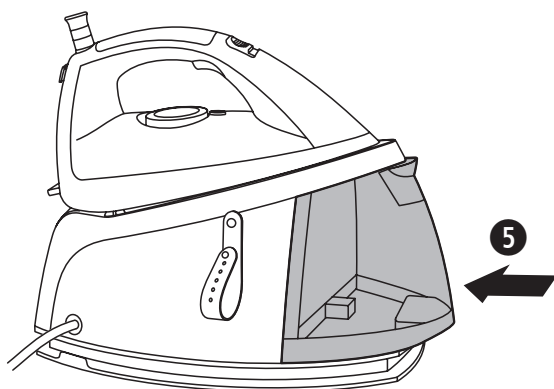
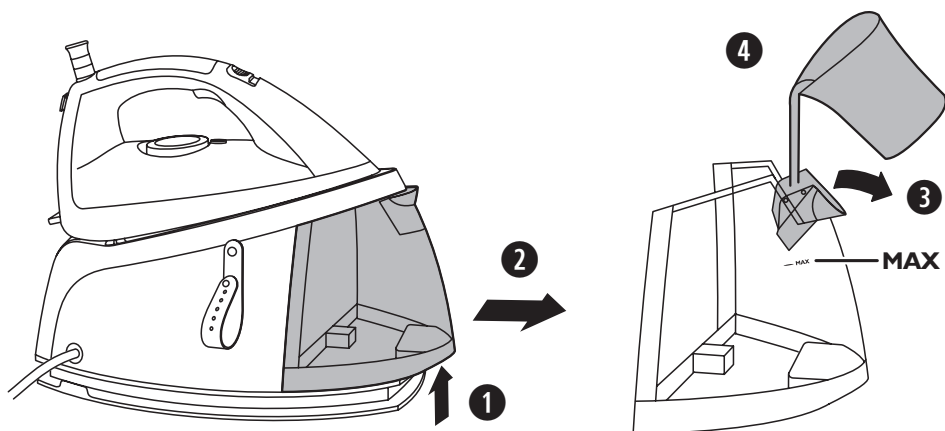
1. Remove the water tank by pressing the water tank release button underneath the tank.
2. Slide the water tank out.
3. Open the water tank filling cover.
4. Fill the water tank with cold tap water to the MAX mark.
5. Close the water tank filling cover and slide the water tank back into the base unit until it latches securely into place.

Note that when you use your steam generator for the first time or after rinsing the boiler, a lot of water will be pumped out of the water tank. Refill the tank as required.

Filling during use

You can fill your steam generator during use without having to remove the water tank. The low water indicator light will flash to let you know that the water tank needs filling.

Simply open the water tank filling cover and add water as required. Do not fill past the MAX indicator mark on the tank.





We recommend that you:

- Start by ironing those items of laundry that require the lowest temperature (e.g. synthetics). Finish by ironing fabrics which respond best to higher temperatures and steam—such as cotton and linen.
- If you iron a fabric made of a blend of fibres set the temperature of your iron to the most delicate fibre.
- When using starch, it should be sprayed onto the reverse side of the fabric and the soleplate cleaned more frequently.
- Do not iron over sharp or hard objects such as buttons, studs or zippers as they will scratch the soleplate of your iron.

Important

Your steam generator takes time to heat up and cool down. If you change the temperature setting on your steam generator, you must give it time to adjust to the new setting.

This is especially important when you change from a high setting to a lower one. It takes your steam generator longer to cool down than it does to heat up and this is the reason we recommend that you begin ironing at lower temperatures.

If you do need to reduce the temperature of your steam generator, wait until the temperature indicator light comes on and then goes out again before ironing. This will ensure that your steam generator has cooled to the lower temperature and is not too hot for the fabric being ironed.

For example, you have been ironing using the ●●● setting and wish to change to the ●● setting:

1. Rotate the temperature control ring to set the pointer to the ●● setting. Initially, the temperature indicator light will be off because your steam generator is still at the higher temperature.
2. Wait until the temperature indicator light comes on and then goes out again. Your steam generator has now cooled to the correct temperature.



Steam ironing

▲ During steam ironing, if you do not allow your steam generator to reach the selected temperature water may drip from the soleplate. During use the steam pipe and iron rest will become very hot.

It is recommended that for harder to iron fabrics such as cotton and linen, steam should be used when ironing.

When ironing cotton and linen, always select the highest temperature. Steam should never be used on delicate fabrics like nylons, acrylics and synthetics.

1. Fill the water tank with water.
2. Plug your steam generator into the mains supply and press the on/off button to switch your steam generator on.
3. Rotate the temperature control ring to set the pointer to between the ●● and the maximum heat (MAX) setting.
4. The temperature indicator light will light up as your steam generator heats up. When the temperature indicator light goes out your steam generator is at the selected temperature. The temperature indicator light will turn on and off during ironing as your steam generator maintains the correct temperature.
5. You will hear a buzzing sound as the pump inside your steam generator operates and transfers water from the water tank to the boiler where steam is produced. Set the desired amount of steam as described below in the *Adjusting the amount of steam* section. The steam indicator light will flash as your steam generator heats the water to create steam. When the steam indicator light stops flashing, your steam generator is ready to use. The steam indicator light will occasionally flash during ironing. This is normal.
6. With the soleplate in contact with the garment, press the steam trigger for a couple of seconds. It is not necessary to hold the trigger down continuously as steam will still be emitted from the soleplate for a short time after the trigger has been released. If more steam is required, press the steam trigger again.

Always release the trigger and allow any residual steam to be released before replacing the iron on its stand.

The pump will occasionally start and stop during ironing. This is normal

Adjusting the amount of steam

1. You can adjust the amount of steam using the steam control.
2. Turn the steam control clockwise to increase steam, or anticlockwise to decrease steam. Steam can be switched off by turning it fully anticlockwise to OFF.



Ironing without steam

If you intend to dry-iron fabrics there is no need to fill the water tank. However, if water is already in the water tank, you do not need to empty it.

1. Rotate the temperature control ring to set the pointer to the desired heat setting.
2. Turn the steam control fully anticlockwise to OFF.
3. When the temperature indicator light goes out your steam generator is ready to use. The light will continue to turn on and off during ironing as your steam generator maintains the soleplate temperature.
4. Iron your laundry without pressing the steam trigger or using the steam lock button.

Vertical steam ironing

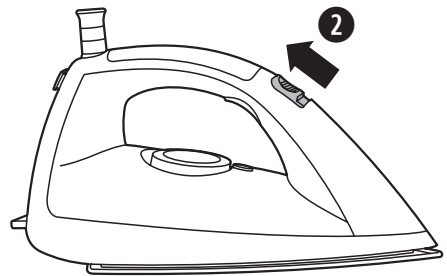
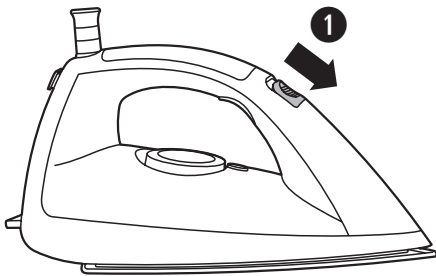
Vertical steam ironing is especially useful for ironing items such as curtains while they are hanging, or jackets, suits and coats.

Hold the iron in a vertical position and press the steam trigger as required.

Steam lock

To prevent fatigue, your steam generator can be set to produce steam without having to constantly hold the steam trigger in the on position.

1. Slide the steam lock button forwards and steam will be continuously emitted from the soleplate.
2. To stop, slide the steam lock button backwards. Always release the steam lock button when you put the iron back onto the iron rest.





Problem	Possible cause	Solution
My steam generator doesn't heat up.	Your steam generator is not connected properly.	Check the mains power cord, plug and wall socket.
	Your steam generator is not switched on.	Press the on/off switch to switch your steam generator on.
	The temperature is set to MIN.	Set the temperature to the required temperature.
My steam generator does not produce any steam.	There is not enough water in the water tank.	Fill the water tank as required.
	Your steam generator's boiler is still heating up.	Wait until the steam indicator light stops flashing and goes out.
	The selected temperature is too low for steam ironing.	Set the temperature to ●● or higher.
	The water tank is not fitted correctly.	Check that the water tank is correctly fitted.
	The steam may not be visible if your steam generator is set to a high ironing temperature.	Set your steam generator to a lower temperature (e.g. ●●) to check if steam is being produced.
Water droplets come out of the soleplate.	The selected temperature is too low for steam ironing.	Set the temperature to ●● or higher.
	If you have left your steam generator for some time between ironing, steam left in the steam hose can cool down and cause water droplets to form.	This is normal. Hold your iron over an old cloth and press the steam trigger until steam rather than water droplets come from the soleplate.
My steam generator occasionally makes a strange sound.	This is the internal pump transferring water from the water tank as required.	This is normal.
Dirty water comes out of the soleplate.	Scale and other impurities have accumulated inside the boiler of your steam generator.	Allow your steam generator to fully cool down then rinse the boiler— <i>see care and cleaning on page 16.</i>

care and cleaning

▲ Do not use harsh abrasives, chemical cleaners or solvents to clean the exterior of your steam generator because they will damage the surface.

After each use

After each use, allow your steam generator to completely cool down before wiping the soleplate with a soft damp cloth. If polyester has burnt to the soleplate, iron a damp cotton cloth while your steam generator is still hot. If necessary, allow your steam generator to completely cool down then wipe over the soleplate with a soft cloth moistened with methylated spirits. Remove the methylated spirit with a damp cloth. Make sure that the soleplate is completely dry.

To clean the exterior of your steam generator, wipe over with a soft damp cloth and wipe dry. Ensure the soleplate is dry.

To remove build-up from the steam holes which may affect steam performance, use a cotton wool tip moistened in methylated spirits. Wipe over with a damp cloth.

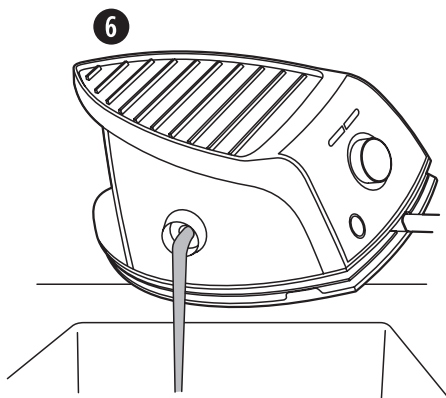
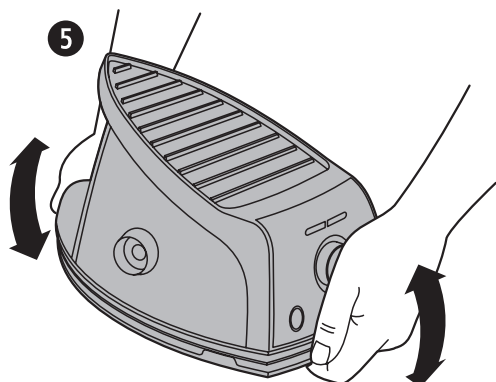
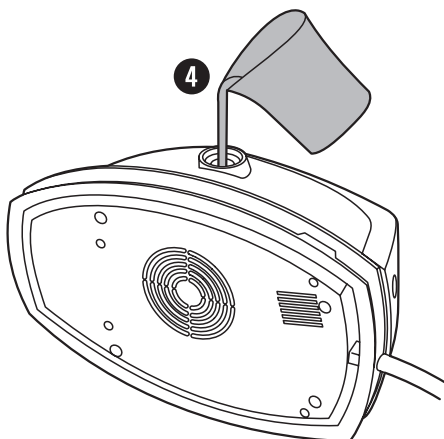
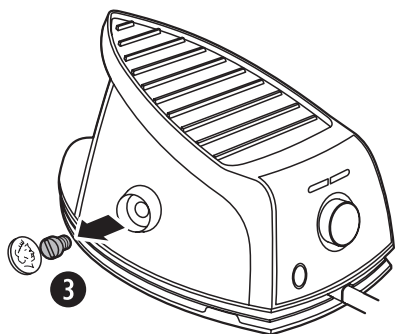
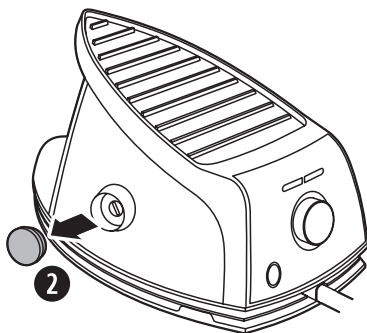
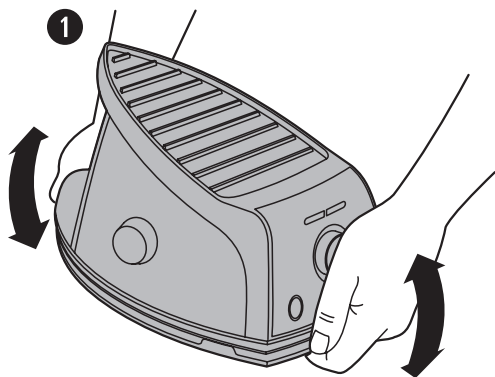
Rinsing out the boiler

▲ NEVER remove the boiler rinse plug when your steam generator is hot. Allow your steam generator to cool for at least 2 hours before removing the boiler rinse plug.

To maintain optimum performance, it is **important** to rinse out the boiler in your steam generator once a month or after every 10 times you have used it.

Unplug your steam generator and allow it to cool for at least 2 hours. Remove the water tank.

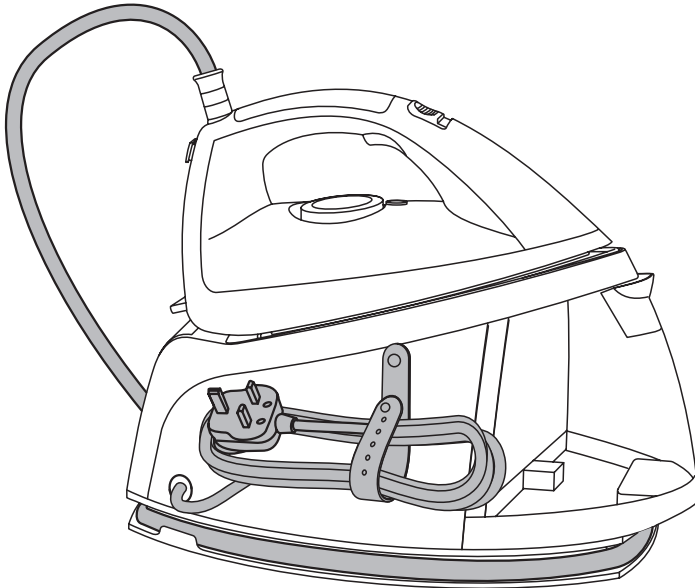
1. Remove the iron from the iron rest and place it to one side. Shake the base unit for a few seconds.
2. Remove the boiler rinse plug cover by pulling it away from the base unit.
3. Use a coin to unscrew the boiler rinse plug.
4. Place the base unit on its side and pour about 300ml (approx. equal to 1 coffee mug) of cold tap water into the opening.
5. Shake the base unit again for a few seconds to agitate the water in the boiler.
6. Pour out the water into a sink.
7. Repeat steps 4, 5 and 6 again.
8. Refit the boiler rinse plug and tighten it firmly using a coin.
9. Refit the boiler rinse plug cover.





Storing your iron

- Switch the mains supply socket off and remove the plug. Allow your steam generator to completely cool down.
- Empty any remaining water from the water tank.
- Wrap the steam hose around the channel in the base unit as shown.
- Use the mains cord storage strap to secure the mains cord as shown.





connection to the mains supply

⚠ This appliance must be earthed.

This appliance is fitted with either a moulded or rewirable BS1363, 13 amp plug. The fuse should be rated at 13 amps and be ASTA approved to BS1362.

If the fuse in a moulded plug needs to be changed, the fuse cover must be refitted. The appliance must not be used without the fuse cover fitted.

If the plug is unsuitable, it should be dismantled and removed from the supply cord and an appropriate plug fitted as detailed below. If you remove the plug it must not be connected to a 13 amp socket and the plug must be disposed of immediately.

The wires of the mains lead are coloured in accordance with the following code:

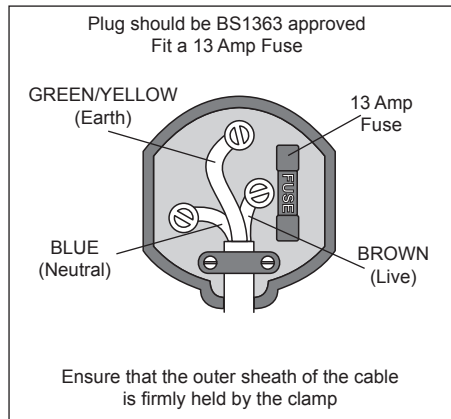
GREEN/YELLOW = EARTH BLUE = NEUTRAL BROWN = LIVE

The wire which is coloured GREEN/YELLOW must be connected to the terminal in your plug which is marked with an E or by the earth symbol (\perp) or coloured GREEN or GREEN /YELLOW.

The wire which is coloured BLUE must be connected to the terminal in your plug which is marked with the letter N or coloured BLACK.

The wire which is coloured BROWN must be connected to the terminal in your plug which is marked with the letter L or coloured RED.

If any other plug is used, a 13 amp fuse must be fitted either in the plug or adaptor or at the distributor board.





These appliances are built to the very highest of standards. There are no user serviceable parts. Follow these steps if the unit fails to operate:

1. Check the instructions have been followed correctly.
2. Check that the fuse has not blown.
3. Check that the mains supply is functional.

If the appliance will still not operate, return the appliance to the place it was purchased for a replacement. To return the appliance to the Customer Service Department, follow the steps below:

1. Pack it carefully (preferably in the original carton). Ensure the unit is clean.
2. Enclose your name and address and quote the model number on all correspondence.
3. Give the reason why you are returning it.
4. If within the guarantee period, state when and where it was purchased and include proof of purchase (e.g. till receipt).
5. Send it to our Customer Service Department at the address below:

Customer Service Department

Pulse Home Products Limited

Middleton Road

Royton

Oldham

OL2 5LN, UK.

Telephone: 0161 621 6900 Fax: 0161 626 0391

e-mail: info@pulse-uk.co.uk



This product is guaranteed for a period of 1 year from the date of purchase against mechanical and electrical defects.

This guarantee is only valid if the appliance is used solely for domestic purposes in accordance with the instructions provided, that it is not connected to an unsuitable electricity supply, dismantled or interfered with in any way or damaged through misuse. Under this guarantee we undertake to repair or replace free of charge any parts found to be defective.

Nothing in this guarantee or the instructions relating to the product excludes, restricts or otherwise affects your statutory rights.

In line with our policy of continuous development, we reserve the right to change this product, packaging and documentation without notice.

Breville

Breville is a registered trademark of Pulse Home Products Limited
© Pulse Home Products Limited

Breville have a policy of continuous improvement and we
reserve the right to change specifications without notice
Pulse Home Products Limited, Royton, Oldham OL2 5LN, UK
www.breville.co.uk