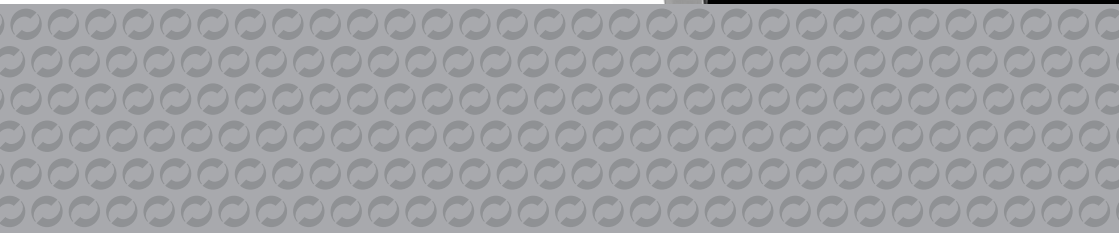


Breville®



silver solo **microwave oven**

instruction booklet





Product safety.....	4
Before first use	6
Precautions	6
Controls	9
Microwave cooking basics.....	10
Switching on	10
Cookware test.....	11
Materials you can use in your microwave oven.....	12
To pause cooking.....	13
To stop cooking	13
Setting the clock.....	14
Microwave cooking	15
Multistage cooking (programmed sequence)	16
Delayed (timed) start cooking.....	17
Defrosting.....	18
To Defrost by Weight	18
To Defrost by Time	18
Intelligent Auto Cook menu.....	19
Quick start cooking	20
Child-proof lock	20
Care and maintenance.....	21
Troubleshooting.....	23
Frequently asked questions	23
Connection to the mains supply.....	24
After sales service.....	25
Guarantee.....	26
Replacement parts.....	27



READ CAREFULLY AND KEEP FOR FUTURE REFERENCE

This product can be used by children aged 8 years and above, and persons who require supervision, provided:

- they are familiar with the hazards associated with the product, and,
- they receive instruction by a competent person on how to safely use the product.

Children must not play with the product. Cleaning and user maintenance must not be done by children unless they are aged 8 or older and are supervised.

WARNING: If the door or door seals are damaged, the oven must not be used until it has been repaired by a competent person.

WARNING: It is hazardous for anyone other than a competent person to remove a cover which gives protection against exposure to microwave energy.

WARNING: Liquids and other foods must not be heated in sealed containers since they are liable to explode.

Only use cookware and utensils that are suitable for use in a microwave oven.

When heating food in plastic or paper containers, keep an eye on them as they may possibly catch fire or burn.

This microwave oven should only be used for the purpose it was intended. It must not be used for activities such as drying clothes, paper or any other non-food item, or for sterilising purposes.

If smoke is emitted, switch off and unplug the oven. Keep the door closed in order to stifle any flames.

Microwave ovens can heat liquids and beverages such that they can boil over unexpectedly if the container they are in is moved or stirred immediately after cooking. Always let the container stand for at least 20 seconds after heating then stir it before carefully removing the container from the oven.

In order to avoid burns or injury, always stir or shake the contents of feeding bottles and baby food containers after heating. Always check the temperature of the contents before consumption.

Eggs in their shell and whole hard-boiled eggs should not be heated in a microwave oven since they may explode even after cooking has ended.

The microwave oven should be cleaned regularly and any food deposits removed. Failure to maintain the oven in a clean condition could adversely



affect the life of the appliance and possibly result in a hazardous situation. This appliance is designed to be used on a work top or table only. Never install it in a cupboard or cabinet.

If the supply cord is damaged, it must be replaced by the manufacturer, its service agent or similarly qualified persons in order to avoid a hazard.

- ⚠ Do not allow the power cord to overhang the work surface, or to become trapped, kinked or pinched.
- ⚠ Do not operate the oven when it is empty.
- ⚠ The temperature of accessible surfaces may be high when the appliance is operating.
- ⚠ The glass turntable and turntable roller must always be fitted when operating the oven.
- ⚠ Do not use the microwave oven cavity for any type of storage, such as cookbooks etc.
- ⚠ Do not use the microwave for home canning. Microwave ovens are not designed for canning. Improperly canned food may spoil and be dangerous to eat.
- ⚠ Do not cook any food surrounded by a membrane such as egg yolk, potatoes, chicken livers etc. without first piercing the membrane several times.
- ⚠ Do not insert fingers or any type of object or implement into the openings on the outer case.
- ⚠ Do not cook directly on the glass turntable. Always place food in a proper container before heating it in the oven.
- ⚠ Do not use metal pans or dishes with metal handles.
- ⚠ Do not use anything with a metal trim.
- ⚠ Do not use paper or plastic covered wire twist ties on plastic bags.
- ⚠ Do not use melamine dishes because they will absorb microwave energy. This will cause the dish to crack or char and slow down the cooking process.
- ⚠ Use only a thermometer specifically designed for microwave cooking.
- ⚠ Do not attempt to deep fry food in the oven.
- ⚠ Always follow the cooking instructions supplied by the manufacturer or in your cookbook. Some foods e.g. Christmas puddings, jam, and mincemeat heat up very quickly.
- ⚠ When cooking foods with a high fat or sugar content do not use plastic containers.
- ⚠ Plastic foam containers may melt or contaminate the food or liquid inside when exposed to high temperatures.
- ⚠ Wood will dry out when used in the microwave oven and may split or crack.
- ⚠ The microwave oven must be earthed.



Retain the packaging in which the microwave oven was supplied so that in the event that the equipment needs to be returned it can be suitably repacked.

Open the packaging carefully and remove each item for inspection. Ensure that all packaging materials are removed from the inside of the door.

Check that all items have been supplied. The items supplied for this model of microwave oven are:

- Microwave oven
- Glass tray (turntable)
- Turntable roller
- Instruction manual

Inspect the microwave oven and power lead for any damage. If any damage is found do not use the oven. Contact the dealer where the product was purchased.

Precautions

To avoid possible exposure to microwave energy, it is important that you do not disarm or tamper with the door safety interlocks.

Do not place any objects between the oven front face and the door, or allow soil or cleaner residue to accumulate on the sealing surfaces.

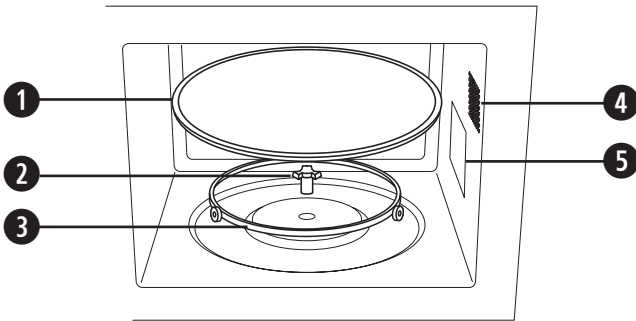
Check the oven for any damage, in particular, that there is no damage to the door (such as dents) its hinges and latches and the door seals and sealing surfaces. Do not operate the oven if it is damaged in any way. It is particularly important that the oven door is not misaligned and that it closes properly.



Setting up your microwave oven

⚠ Do not operate your oven if it is damaged.

Place the drive shaft into the circular recess in the oven floor. You may need to rotate it slightly until it fits to the coupling correctly and slides down all the way. Place the turntable roller ring into the recess in the oven floor. Place the glass turntable onto the shaft until the lugs on the underside of the turntable engage with the drive shaft. Do not operate your microwave oven without the drive shaft, roller ring or glass turntable fitted.



1. Glass turntable
2. Drive shaft
3. Turntable roller ring
4. Oven light
5. Waveguide cover



⚠ Do not install the oven over equipment that produces heat, such as a range cooker or cooking hob. Failure to follow this instruction could damage the oven and would make the warranty void.

Do not place the oven in locations of moisture or high humidity or near combustible materials.

Do not block the air intake and outlet vents. Do not place anything on top of the oven. Failure to comply can damage the oven.

Do not remove the feet from the bottom of the oven.

Never operate the oven with the waveguide cover removed.

Requirements

Ensure that the voltage and frequency on the rating label of the oven is the same as that of the household power supply.

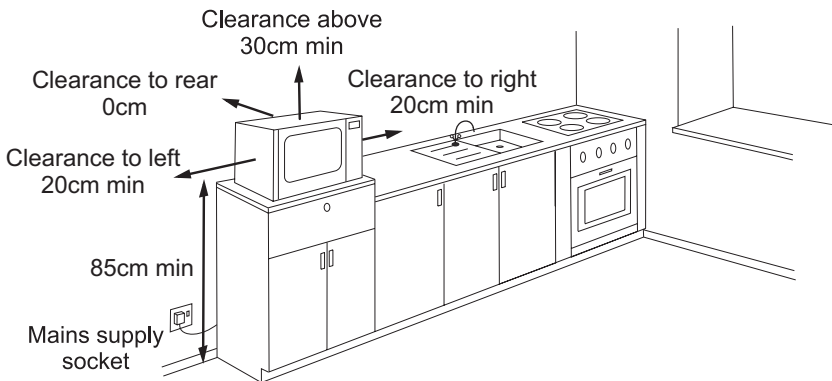
Place the oven as far from TVs and radios as possible. Operation of a microwave oven can cause interference to your TV and radio reception.

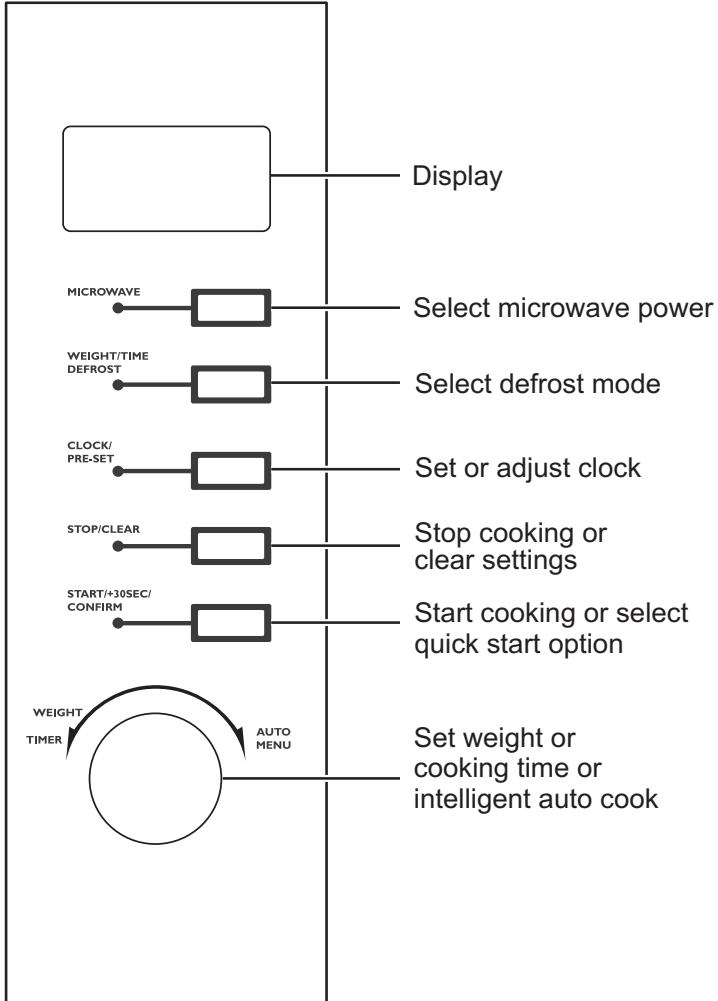
Select a flat horizontal surface that provides enough open space for the oven inlet and outlet vents and is strong enough to support the microwave oven.

For correct operation, the oven must have sufficient airflow. Ensure there is sufficient space around the oven as shown.

Route the mains lead away from all hot and sharp surfaces. Do not trap the lead under the microwave.

Plug your oven into a standard outlet socket.







Microwave cooking basics

⚠ Never operate your microwave oven when it is empty as this can damage your oven.

Do not cook directly on the glass tray. Always place the food in a microwave-proof dish.

Arrange the food with the thickest areas to the outside of the dish. Cook for the shortest indicated time but do not under-cook. Add extra time if required. Severely over-cooked food can smoke and may ignite.

Cover food while cooking. Covering prevents spatter and helps the food to cook more evenly.

To speed cooking and ensure that food is cooked evenly it should be turned over or stirred at least once during cooking. Larger items, such as joints of meat must be turned at least once.

Rearrange small items of food such as meatballs halfway through cooking. To ensure even heating, turn them over and move items from the centre of the dish to the outside of the dish and items from the top of the dish to the bottom of the dish.

Cover thin pieces of food such as the ends of chicken legs with small pieces of aluminium foil to prevent them becoming overcooked. Ensure that the foil is kept more than 25mm (1 inch) from the inside walls of the oven.

Switching on

The microwave oven is turned on by plugging its mains lead into the mains outlet socket.

Open the door and the internal light should turn on. Close the door and it should turn off.



Cookware test

There may be certain non-metallic containers that are not safe to use for microwave cooking. If in doubt, you can test the COOKWARE following the procedure below.

- Place the empty container in the oven.
- Microwave on maximum power for 1 minute.
- Carefully feel the container. If it becomes very hot do not use it for microwave cooking.
- Do not exceed 1 minute cooking time when carrying out this test.

The ideal material for a microwave utensil or container is one that is transparent to microwave energy. It allows energy to pass through the container and heat only the food inside.

Microwaves cannot penetrate metal so metal utensils and dishes, and dishes with metallic trim should not be used in this oven.

Do not use recycled paper products as they may contain small metal fragments which could cause sparks and/or a fire.

Round and oval dishes are recommended in preference to square or rectangular dishes as food in corners tends to overcook.

Cookware	Suitable for microwave cooking
Heat resistant glass	YES
Non-heat resistant glass	NO
Heat resistant ceramic	YES
Microwave-safe plastic dish	YES
Kitchen paper	YES
Metal tray	NO
Metal rack	NO
Aluminium foil or container ⁽¹⁾	NO

(1) Aluminium foil may be used in small pieces to cover or shield food such as the ends of chicken legs to prevent them becoming over-cooked. Ensure that the foil is kept more than 25mm (1") from the oven's inner walls.



Materials you can use in your microwave oven

Material	Notes
Aluminium foil	Use for shielding only. Small, smooth pieces can be used to cover thin parts of meat or poultry to prevent overcooking. Arcing can occur if the foil is too close to the oven walls. The foil should be at least 25mm (1 inch) away from the oven walls.
Browning dish	Follow the manufacturer's instructions. The bottom of the browning dish must be at least 5mm (3/16" inch) above the turntable. Incorrect usage may cause the turntable to break.
Dinnerware	Use microwave-safe dinnerware only. Follow the manufacturer's instructions. Do not use cracked or chipped dishes.
Glass jars	Always remove the lid. Heat food until it is only just warm. Most glass jars are not heat resistant and may break.
Glassware	Use only heat resistant oven glassware. Do not use cracked or chipped glassware.
Oven cooking bags	Follow the manufacturer's instructions. Do not use metal ties to close the bag. Make slits to allow steam to escape.
Paper plates and cups	Use for short term cooking/warming only. Do not leave the oven unattended while cooking.
Paper towels	Use to cover food for reheating and absorbing fat. Use with supervision for short term cooking only.
Parchment paper	Use as a cover to prevent spattering or as a wrap for steaming.
Plastic	Makes sure that it is labelled 'Microwave Safe'. Follow the manufacturer's instructions. Some plastic containers soften as the food inside gets hot. Boiling bags and lightly closed plastic bags should be slit, pierced or vented as directed on the packaging or by the manufacturer.
Plastic wrap	Use microwave-safe plastic wrap only. Use it to cover food during cooking to retain moisture. Do not allow the plastic wrap to touch the food.
Waxed paper	Use as a cover to prevent spattering and retain moisture.
Thermometer	Only use a thermometer that is suitable for use in a microwave oven.



▲ Never operate your microwave oven when it is empty as this will cause damage.

To pause cooking

To pause cooking at any time during the cooking sequence, you can either:

1. Open the oven door
2. Press the **STOP/CLEAR** button once.

To resume cooking close the door and press the **START/+30SEC/CONFIRM** button.

To stop cooking

To immediately stop cooking at any time:

1. Press the **STOP/CLEAR** button twice

or

1. Open the oven door
2. Press the **STOP/CLEAR** button.



Setting the clock

The clock displays the time of day in 24-hour format.

To set the clock carry out the following:

1. Press the **CLOCK/PRESET** button once.
2. Turn the **WEIGHT/TIMER/AUTO MENU** knob until the required hour appears on the display.
3. Press the **CLOCK/PRESET** button again.
4. Turn the **WEIGHT/TIMER/AUTO MENU** knob until the required minutes are displayed.
5. Press the **CLOCK/PRESET** button to confirm the setting.
6. The time of day will now be displayed.



Microwave cooking

To cook, press the **MICROWAVE** button a number of times to select a cooking power level, press the **START/+30SEC/CONFIRM** button to confirm the power setting and then use the **WEIGHT/TIMER/AUTO MENU** knob to set the desired cooking time. The longest cooking time is 95 minutes.

Press MICROWAVE button	Microwave power (W)	Display
Once	800	P100
Twice	640	P80
3 times	400	P50
4 times	240	P30
5 times	80	P10

Example: To cook for 1 minute at 50% of microwave power.

1. Place the food in a suitable container on the turntable and close the door.
2. Press the **MICROWAVE** button 3 times. The display will show P50.
3. Press the **START/+30SEC/CONFIRM** button.
4. Rotate the **WEIGHT/TIMER/AUTO MENU** knob until the display shows 1:00.
5. Press the **START/+30SEC/CONFIRM** button.
6. The display shows the set cooking time and then counts down in 1 second increments.
7. When the cooking time has elapsed, the oven will beep.
8. Open the door and remove the food.



Multistage cooking (programmed sequence)

The oven may be set to carry out a sequence of up to two cooking stages. The Time Defrost function can be used as part of the sequence before the cooking stage. The possible sequences are:

- Time defrost > microwave cooking
- Microwave cooking first stage > microwave cooking second stage

The following example describes setting a Time Defrost followed by a Microwave cooking sequence.

1. Place the food in a suitable container on the turntable and close the door.
2. Press the **WEIGHT/TIME DEFROST** button twice. DEF2 will be displayed.
3. Rotate the **WEIGHT/TIMER/AUTO MENU** knob until the required defrosting time is displayed.
4. Press the **MICROWAVE** button.
5. The display will show P100 to indicate full power. If required, press the **MICROWAVE** button until the required power level is displayed.
6. Press the **START/+30SEC/CONFIRM** button.
7. Rotate the **WEIGHT/TIMER/AUTO MENU** knob until the required cooking time is displayed.
8. Press the **START/+30SEC/CONFIRM** button.
9. The cooking sequence will begin.
10. When the sequence has ended the oven will beep.

This example describes how to set a two stage microwave cooking sequence. The first stage will cook on full power for 2 minutes and the second stage will cook on 50% power for 1 minute.

1. Press the **MICROWAVE** button. The display will show P100 to indicate full power.
2. Press the **START/+30SEC/CONFIRM** button.
3. Rotate the **WEIGHT/TIMER/AUTO MENU** knob until the display shows 2:00.
4. Press the **MICROWAVE** button three times. The display will show P50 to indicate 50% power.
5. Press the **START/+30SEC/CONFIRM** button.
6. Rotate the **WEIGHT/TIMER/AUTO MENU** knob until the display shows 1:00.
7. Press the **START/+30SEC/CONFIRM** button.
8. The cooking sequence will begin.
9. When the sequence has ended the oven will beep.



Delayed (timed) start cooking

You can program your oven to delay the start of cooking e.g. if you are going out and you would like your meal to be ready on your return. Before programming the start time, make sure that your oven clock is set correctly. Delayed start cooking is programmed in two stages. First, the cooking power and time is entered, then the time that you want the oven to start cooking is entered (in 24 hour format).

1. Place the food in a suitable container on the turntable and close the door.
2. Press the **MICROWAVE** button as required to set the desired cooking power level.
3. Press the **START/+30SEC/CONFIRM** button.
4. Rotate the **WEIGHT/TIMER/AUTO MENU** knob to set the required cooking time.
5. Press the **CLOCK/PRESET** button. The current time will be displayed with the hours digits flashing.
6. Turn the **WEIGHT/TIMER/AUTO MENU** knob to set the desired start time hour (in 24 hour format).
7. Press the **CLOCK/PRESET** button. The minutes digits will now flash.
8. Turn the **WEIGHT/TIMER/AUTO MENU** knob to set the desired start time minutes.
9. Press the **START/+30SEC/CONFIRM** button.
10. At the programmed time, your microwave oven will start cooking.

Delayed start cooking can be cancelled at any time by pressing the **STOP/CLEAR** button.



Defrosting

The oven has two modes of defrosting available: Weight Defrost and Time Defrost.

The Weight Defrost mode requires that you know the weight of the food to be defrosted. The maximum allowable weight is 2 kg.

The Time Defrost mode requires you to know the defrost time for the food to be defrosted. The maximum defrost time is 95 minutes.

To achieve even defrosting, the food should be turned or stirred at least once during the cycle or more often with larger amounts of food.

To Defrost by Weight

1. Place the food in a suitable container on the turntable and close the door.
2. Press the **WEIGHT/TIME DEFROST** button once.
3. The display will show dEF1.
4. Rotate the **WEIGHT/TIMER/AUTO MENU** knob until the weight of the food to be defrosted is displayed. Turning the knob clockwise increases the weight, anti-clockwise decreases it. The display shows the weight in grams.
5. Press the **START/+30SEC/CONFIRM** button.
6. When the cooking time has ended, the oven will beep.
7. After the required standing time, remove the defrosted food from the oven.

To Defrost by Time

1. Place the food in a suitable container on the turntable and close the door.
2. Press the **WEIGHT/TIME DEFROST** button twice.
3. The display will show dEF2.
4. Rotate the **WEIGHT/TIMER/AUTO MENU** knob until the time required for the food to be defrosted is displayed, clockwise to increase, anti-clockwise to decrease.
5. Press the **START/+30SEC/CONFIRM** button.
6. When the cooking time has ended, the oven will beep.
7. After the required standing time, remove the defrosted food from the oven.



Intelligent Auto Cook menu

The Intelligent Auto Cook feature means that it is not necessary to program the cooking time or select the correct power. All you need to do is specify the type and quantity of food that you want to cook and the intelligent programs do all the rest for you. The food types and weights available are listed in the Intelligent Auto Cook Menu table.

Example: To use the intelligent auto cook menu function to cook 450g of fish:

1. Place the food in a suitable container on the turntable.
2. Turn the **WEIGHT/TIMER/AUTO MENU** knob **clockwise** until code 'A-3' is displayed.
3. Press the **START/+30SEC/CONFIRM** button.
4. Turn the **WEIGHT/TIMER/AUTO MENU** knob until 450g is displayed
5. Press the **START/+30SEC/CONFIRM** button.
6. Cooking will begin.
7. When the cooking time has ended, the oven beeps.
8. After the required standing time, remove the food from the oven.

Display	Food	Time/Weight/Auto Menu Knob
A-1	Auto Reheat ⁽¹⁾	Selects a 200, 400 or 600g plate of food
A-2	Vegetables	Selects a 200, 300 or 400g portion of vegetables
A-3	Fish	Selects a 250, 350 or 450g portion of fish
A-4	Meat ⁽²⁾	Selects a 250, 350 or 450g portion of meat
A-5	Pasta ⁽³⁾	Selects a 50 or 100g portion of pasta
A-6	Potato ⁽⁴⁾	Selects 200, 400 or 600g (1, 2 or 3) potatoes
A-7	Pizza	Selects a 200 or 400g pizza
A-8	Soup	Selects a 200 or 400ml portion of soup

- (1) The auto reheat setting is designed to reheat a 200, 400 or 600g plate of food. Always check that reheated food is piping hot throughout before eating. Don't use the auto reheat program to cook microwave meals or frozen meals. Always follow the manufacturer's instructions when cooking such food items.
- (2) We recommend that in Intelligent Auto Cook mode, meat should be cooked off the bone. Cook chicken, poultry, etc. until the juices run clear.
- (3) For a 50g portion of pasta add 450ml of cold water. For a 100g portion of pasta, add 800ml of cold water.
- (4) The potato program is based on a 200g (medium size) potato and can cook 1, 2 or 3 potatoes. Place the potatoes in a suitable container on the turntable. Always place the potatoes around the edge of the turntable or dish being used. Don't put them together in the centre of the dish as this will cause uneven cooking. Always maintain a gap between each potato.



Quick start cooking

The Quick Start cooking feature allows you to begin microwave cooking at the press of a single button. The microwave power is fixed at maximum (100%) and the maximum cooking time using this method is 95 minutes. Each press of the **Start/Quick Start** button increases the cooking time by 30 seconds.

1. Place the food in a suitable container on the glass tray and close the door.
2. Press the **START/+30SEC/CONFIRM** button in quick succession the required number of times. For example, to cook for 1 minute 30 seconds, press the **START/+30SEC/CONFIRM** button 3 times.
3. Cooking will start immediately and the timer will begin to count down.

Child-proof lock

When the child-proof lock is set, it disables the control panel buttons. This prevents unsupervised operation by young children, or any other person who does not know how to reset the lock. This child-proof lock may only be set when the oven is not cooking.

To activate the child-proof lock:

- Press and hold the **STOP/CLEAR** button for approximately 3 seconds.
A long beep will sound, the display will show **---** and the control panel will be locked.

To deactivate the child-proof lock:

- Press and hold the **STOP/CLEAR** button for approximately 3 seconds.
A long beep will sound and the control panel will be unlocked.



▲ Before carrying out any cleaning, turn off the oven and remove the plug from the mains supply socket.

The door seal area must be kept clean at all times to eliminate the possibility of microwave energy escaping.

It is hazardous for anyone other than a competent person to carry out any service or repair operation which involves the removal of a cover which gives protection against exposure to microwave energy or high voltage.

General

Most cleaning can be carried out with a damp cloth and mild detergent solution, rinsed with a clean damp cloth and wiped dry.

Never use sprays or harsh cleaners, cleaning powders or scouring or other abrasive pads.

Cleaning should be carried out on a weekly basis, more often if required.

Excessive oil spatters on the inside top will be difficult to remove if left longer. Wipe spatters inside the oven with a damp paper towel soon after cooking, especially after cooking chicken or bacon.

The glass turntable can be cleaned in a dishwasher.

Oven

Clean the inside of the oven with a soft cloth dampened with a mild detergent solution to remove any food spatters. Pay particular attention to the mica waveguide cover and surrounding area.

The outside surface should be cleaned in the same way. Do not use a wet cloth as this could cause water to seep into ventilation openings and damage the operating parts.

Wipe the observation window in the door both inside and outside with the damp cloth.

If steam (condensation) accumulates inside or around the outside of the door, wipe it away with a soft cloth.

Control panel

If the control panel becomes dirty, clean with a soft dry cloth. A lightly damp cloth may be used for stubborn marks. Do not use sprays or harsh cleaners as they may stain or dull the panel.



Removable items

The glass turntable may be removed for cleaning. Wash it in warm soapy water or in a dishwasher. Be careful not to chip or scratch the glass as this may cause the turntable to break during use.

The turntable roller and oven floor should be cleaned regularly to allow the glass tray to rotate easily and quietly. Wash the turntable roller in warm soapy water or in a dishwasher.

Ensure that the items are replaced correctly. Refer to the Getting Started section in this guide for details.

Removing odours

Odours can be removed from the microwave oven by adding the juice and skin of one lemon to a cup of water, then microwave for 5 minutes in a deep microwavable bowl. Afterwards wipe the inside of the microwave oven thoroughly and dry with a soft cloth.

Maintenance

The only electrical user replaceable items in this microwave oven are the mains plug and the mains fuse in the plug.

For all repairs you are advised to contact your local approved service centre for this equipment. Your supplier will be able to advise you in this matter.



Observation	Explanation
Microwave interfering with TV reception	Radio and TV reception may suffer interference when the microwave oven is operating. It is similar to the interference produced by small electrical appliances like a food mixer, vacuum cleaner or electric fan. This is normal.
Dim oven light	In low power microwave cooking, the oven light may become dim. This is normal.
Steam accumulating on door, hot air coming out of the vents.	During cooking, steam may come out of the food. Most will escape through the vents but some may accumulate on a cool surface such as the oven door. This is normal.
Oven started accidentally for microwave cooking when there is no food in the oven	No damage will result if the microwave operates empty for a short time, but this should be avoided.

Frequently asked questions

Check to see if the problem you are experiencing is listed in the chart below. If the problem cannot be solved with reference to this chart contact your local authorised service centre.

Question	Answer
When the oven is plugged into a mains supply socket for the first time, it does not work properly. What's wrong?	The microcomputer in the oven may temporarily become scrambled and fail to function as programmed. Unplug the oven from the supply socket and plug it back in again. The microcomputer will then reset for correct functioning
Why is there noise coming from the turntable when the oven is turned on?	This noise occurs when the turntable roller slips on the bottom of the oven. Frequent cleaning of these parts should eliminate or reduce the noise.
Why is there noise coming from the oven when the power level is set low?	When cooking with power other than 100%, the oven automatically turns on and off to produce a lower power output. The clicking noise can be heard when the oven switches on and off. This is normal.
Why is there steam coming from the air exhaust vent?	Steam is produced during cooking. The oven has been designed to vent this steam.
What is wrong when the oven light will not illuminate?	There may be several reasons. The light bulb has burned out or the start button has not been pressed.
Why do eggs sometimes pop?	The egg yolk may pop because of steam build-up inside the membrane. Pierce the membrane with a toothpick before cooking it. Never microwave eggs in their shells as they may explode.
How are boil-overs avoided?	Use a larger utensil than usual for cooking. If you open the oven door or press the cancel button the food will stop boiling.



▲ This appliance must be earthed.

This appliance is fitted with either a moulded or rewirable BS1363, 13 amp plug. The fuse should be rated at 13 amps and be ASTA approved to BS1362.

If the fuse in a moulded plug needs to be changed, the fuse cover must be refitted. The appliance must not be used without the fuse cover fitted.

If the plug is unsuitable, it should be dismantled and removed from the supply cord and an appropriate plug fitted as detailed below. If you remove the plug it must not be connected to a 13 amp socket and the plug must be disposed of immediately.

The wires of the mains lead are coloured in accordance with the following code:

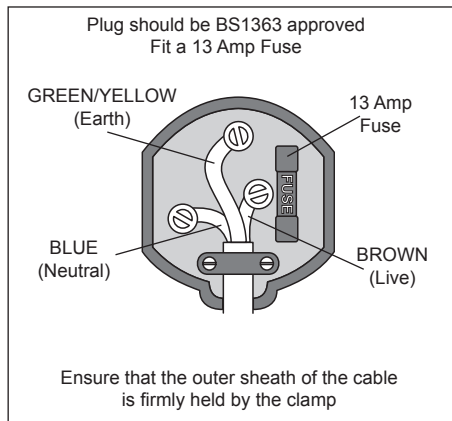
GREEN/YELLOW = EARTH BLUE = NEUTRAL BROWN = LIVE

The wire which is coloured GREEN/YELLOW must be connected to the terminal in your plug which is marked with an E or by the earth symbol (\perp) or coloured GREEN or GREEN /YELLOW.

The wire which is coloured BLUE must be connected to the terminal in your plug which is marked with the letter N or coloured BLACK.

The wire which is coloured BROWN must be connected to the terminal in your plug which is marked with the letter L or coloured RED.

If any other plug is used, a 13 amp fuse must be fitted either in the plug or adaptor or at the distributor board.





These appliances are built to the very highest of standards. There are no user serviceable parts. Follow these steps if the unit fails to operate:

1. Check the instructions have been followed correctly.
2. Check that the fuse has not blown.
3. Check that the mains supply is functional.

If the appliance will still not operate, return the appliance to the place it was purchased for a replacement. To return the appliance to the Customer Service Department, follow the steps below:

1. Pack it carefully (preferably in the original carton). Ensure the unit is clean.
2. Enclose your name and address and quote the model number on all correspondence.
3. Give the reason why you are returning it.
4. If within the guarantee period, state when and where it was purchased and include proof of purchase (e.g. till receipt).
5. Send it to our Customer Service Department at the address below:

Customer Service Department
Jarden Consumer Solutions (Europe) Limited
Middleton Road
Royton
Oldham
OL2 5LN, UK.
Telephone: 0161 621 6900 Fax: 0161 626 0391
e-mail: info@pulse-uk.co.uk



Please keep your receipt as this will be required for any claims under this guarantee.

This appliance is guaranteed for 2 years after your purchase as described in this document.

During this guaranteed period, if in the unlikely event the appliance no longer functions due to a design or manufacturing fault, please take it back to the place of purchase, with your till receipt and a copy of this guarantee.

The rights and benefits under this guarantee are additional to your statutory rights, which are not affected by this guarantee. Only Jarden Consumer Solutions (Europe) Limited (“JCS (Europe)”) has the right to change these terms.

JCS (Europe) undertakes within the guarantee period to repair or replace the appliance, or any part of appliance found to be not working properly free of charge provided that:

- you promptly notify the place of purchase or JCS (Europe) of the problem; and
- the appliance has not been altered in any way or subjected to damage, misuse, abuse, repair or alteration by a person other than a person authorised by JCS (Europe).

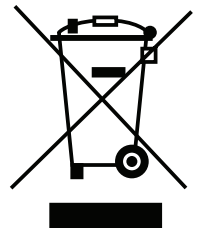
Faults that occur through, improper use, damage, abuse, use with incorrect voltage, acts of nature, events beyond the control of JCS (Europe), repair or alteration by a person other than a person authorised by JCS (Europe) or failure to follow instructions for use are not covered by this guarantee. Additionally, normal wear and tear, including, but not limited to, minor discoloration and scratches are not covered by this guarantee.

The rights under this guarantee shall only apply to the original purchaser and shall not extend to commercial or communal use.

If your appliance includes a country-specific guarantee or warranty insert please refer to the terms and conditions of such guarantee or warranty in place of this guarantee or contact your local authorized dealer for more information.

Waste electrical products should not be disposed of with Household waste. Please recycle where facilities exist. E-mail us at enquiries info@pulse-uk.co.uk for further recycling and WEEE information.

Jarden Consumer Solutions (Europe) Limited
Middleton Road
Royton
Oldham
OL2 5LN
UK





replacement parts

For replacement parts, phone our Customer Service Department on 0161 621 6900. They will give you up to date prices, inclusive of VAT and postage and packaging.

You may then send a cheque or postal order for the correct amount made payable to Jarden Consumer Solutions (Europe) Limited, with the order form printed below (or a photocopy of it) to our Customer Service Department.

Name			
Address	<hr/> <hr/> <hr/> <hr/> <hr/>		
Postcode			
Product	Part number	Description	Quantity
VMW202	91376	Waveguide cover	
I enclose a cheque for £ _____ in full payment			



©2013 Jarden Consumer Solutions (Europe) Limited

All rights reserved. Imported and distributed by Jarden Consumer Solutions (Europe) Limited, Royton, Oldham OL2 5LN, United Kingdom.

The product you buy may differ from the one shown due to continuing product development, One (1) Year Limited Warranty—see inside for details. Jarden Consumer Solutions (Europe) Limited is a subsidiary of Jarden Corporation (NYSE:JAH), Made in PRC

www.breville.co.uk