

Breville®

Turn **on** your creativity™



2400W easy glide
steam iron

Important Safety Information

READ CAREFULLY AND KEEP FOR FUTURE REFERENCE

This appliance can be used by children aged from 8 years and above and persons with reduced physical, sensory or mental capabilities or lack of experience and knowledge if they have been given supervision or instruction concerning use of the appliance in a safe way and understand the hazards involved. Children shall not play with the appliance. Cleaning and user maintenance shall not be made by children without supervision.

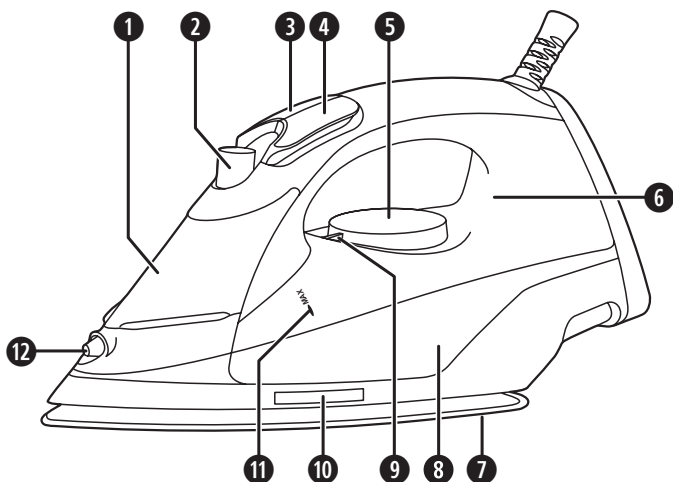
Keep the appliance and its cord out of reach of children less than 8 years old when it is switched on or cooling down.

The appliance must not be left unattended when it is connected to the mains supply.

The appliance must be unplugged from the mains supply socket before filling the water tank with water. Always use the appliance on a stable, secure, dry and level surface. When placing the appliance on its stand, ensure that the surface on which the stand is placed is stable.

Do not use the appliance if it has been dropped, if there are any visible signs of damage or if it is leaking. If the supply cord is damaged, it must be replaced by the manufacturer, its service agent or similarly qualified persons in order to avoid a hazard.

- ⚠ Never use this appliance for anything other than its intended use. This appliance is for household use only. Do not use this appliance outdoors.
- ⚠ Always ensure that hands are dry before handling the plug or switching on the appliance.
- ⚠ Do not touch the metal parts of the appliance during use as they may become very hot.
- ⚠ This appliance must not be placed on or near any potentially hot surfaces (such as a gas or electric hob).
- ⚠ Always allow the appliance to cool before cleaning or storing.
- ⚠ Never immerse any part of the appliance or power cord and plug in water or any other liquid.
- ⚠ Never let the power cord hang over the edge of a worktop, touch hot surfaces or become knotted, trapped or pinched.



- 1 Water tank inlet cover
- 2 Steam control
- 3 Shot of steam button
- 4 Spray button
- 5 Temperature control
- 6 Temperature indicator light
- 7 Soleplate
- 8 Water tank
- 9 Temperature control index mark
- 10 Safe-Store™ heat indicator strip
- 11 Water level maximum indicator
- 12 Spray nozzle

Before using for the first time

⚠ Warning: Remove all packaging including any soleplate protection before using your iron.

Wipe over the soleplate with a cloth moistened with methylated spirit. Wipe off the methylated spirit with a damp cloth then dry the soleplate thoroughly.

Before connecting your iron to the mains supply, make sure your supply voltage is the same as the one indicated on your iron.

When you first use your iron, there may be a slight odour and it may smoke slightly for the first few minutes of operation. This is quite normal and will disappear.

Cleaning your iron before use

Follow these simple steps to remove any impurities or residues inside your steam iron that may be left over from the manufacturing process.

1. Follow the instructions under filling your iron and fill the water tank as described.
2. Empty the water tank to rinse out any foreign particles then refill it.
3. Follow the instructions under steam ironing. Set the temperature to the MAX setting and the steam control to the high steam setting.
4. Iron an old piece of cloth (cotton or towelling is ideal) for a few minutes. While ironing, press the steam button 4 or 5 times.
5. Any impurities will be flushed from your iron by the steam and absorbed by the cloth. Your iron is now ready for use.

Filling your iron

1. Unplug your iron
2. Set the steam control **2** to the no steam position (0).
3. Open the water tank inlet cover **1**.
4. Fill the water tank with ordinary tap water.
5. Don't fill above the MAX level mark. Check the level by standing your iron on its heel.
6. Close the water tank inlet cover.

Ironing without steam

Important: Your iron takes time to heat up and cool down. If you change the temperature setting on your iron, you must give it time to adjust to the new setting.

1. Set the steam control to the no steam position (0).
2. Plug your iron in.
3. Rotate the temperature control dial **5** until the desired setting is aligned with the index mark **9**.
4. When the temperature indicator light **6** goes out, your iron is ready to use.

Ironing with steam

⚠ Warning: During steam ironing, if you do not allow your iron to reach the selected temperature water may drip from the soleplate.

1. Fill your iron with water.
2. Plug your iron in.
3. The temperature control dial **5** must be set within the ●● and ●●● setting. The hotter your iron, the more steam is generated.
4. When the temperature indicator light **6** goes out your iron is ready to use. The temperature indicator light will turn on and off during ironing.
5. Adjust the steam control **2** to select the desired steam output.
6. The steam can be shut off at any time by setting the steam control to the no steam position (0).

Vertical ironing

⚠ Warning: Never iron garments when they are being worn.

1. Prepare your iron as for steam ironing.
2. Hold your iron 15cm from the fabric.
3. Press the shot of steam button **3** as required. Wait several seconds between each press of the button.

Shot of steam

Press the shot of steam button **3** whenever you have a stubborn crease that needs extra steam. Steam will burst from the holes in the soleplate of your iron into the fabric.

The temperature control dial **5** must be set within the ●● and ●●● setting. Wait several seconds between each press of the steam button.

Spray feature

The water spray can be used to help iron heavy fabrics or difficult areas (collars, pockets, sleeves, creases, etc). It can also be used when ironing delicate fabrics which cannot be steam ironed.

Make sure there is water in the tank. Press the spray button **4** to produce a spray of water.

Care and cleaning

⚠ Warning: Do not use harsh abrasives, chemical cleaners or solvents to clean the exterior of your iron.

Allow your iron to completely cool down and wipe the soleplate with a soft damp cloth. If polyester has burnt to the soleplate, iron a damp cotton cloth while your iron is still hot.

Wipe over the rest of your iron with a soft damp cloth then wipe dry.

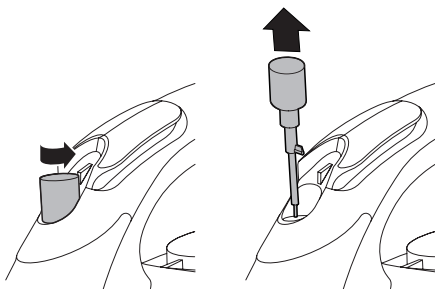
Self clean feature

Use the self-clean function once every two weeks. If the water in your area is very hard, the self clean function should be used more frequently.

1. Unplug your iron then set the steam control **2** to the no steam position (0).
2. Fill your iron with water to the MAX mark.
3. Plug your iron in then set the temperature control dial to the highest (MAX) setting. Allow your iron to heat up until the temperature indicator light goes out.
4. Unplug your iron and hold it over a sink with the soleplate facing downwards.
5. Turn the steam control to the **SC** setting and then pull the steam control out of the iron. Shake the iron vigorously while continuing to hold it over the sink.
6. Refit the steam control after five minutes or when the water tank is empty.
7. Iron an old piece of cloth to allow any remaining water to escape.
8. After use, unplug your iron and allow it to fully cool. Empty out any remaining water.

Cleaning the steam holes

Use a cotton wool tip moistened with methylated spirits. Wipe off the methylated spirits with a damp cloth then dry the soleplate.



Storing

Warning: Allow your iron to completely cool before storing. Always store your iron on its heel rest. Do not store your iron resting on its soleplate.

The Safe-Store™ heat indicator strip shows you when the soleplate of your iron has cooled sufficiently for it to be safe to store. If the strip is red, your iron is too hot. When the words SAFE-STORE appear on the strip against a solid black background, the soleplate is at a safe temperature for storing.

Never wrap the power cord around the soleplate. The cord can be neatly wrapped around the heel of your iron.

After sales service

To return a faulty appliance to our Customer Service Department:

1. Pack it carefully (preferably in the original carton). Ensure the unit is clean.
2. Enclose your name and address and quote the model number on all correspondence. Give the reason why you are returning it.
3. If within the guarantee period, state when and where it was purchased and include proof of purchase (e.g. till receipt).
4. Send it to our Customer Service Department at the address below:

Customer Service Department

Jarden Consumer Solutions (Europe) Limited
Middleton Road, Royton, Oldham OL2 5LN, UK.
Telephone: 0800 525 089 Fax: 0161 626 0391
e-mail: enquiriesEurope@jardencs.com

Replacement parts

For additional or replacement parts, please visit www.breville.co.uk or call us on **0161 621 6900**.

Troubleshooting

For troubleshooting and FAQs visit www.breville.co.uk/faqs

Turn on your Creativity™

Let the Breville® team help you turn on your creativity with a gateway to a world of food and drinks without limits. You don't have to travel far—just to your computer, tablet or mobile—where you will discover our FREE website with top tips and recipes to inspire your imagination. Join us now at www.turnonyourcreativity.com

Turn  your creativity™

Electrical safety

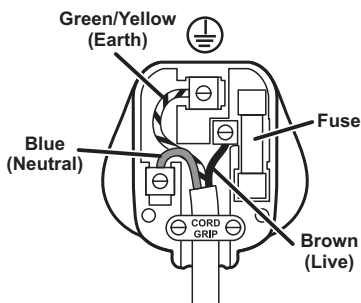
⚠ This appliance must be earthed.

This appliance is fitted with either a moulded or rewirable BS1363, 13 amp plug. The fuse should be rated at 13 amps and be ASTA approved to BS1362. If the fuse in a moulded plug needs to be changed, the fuse cover must be refitted. The appliance must not be used without the fuse cover fitted.

If the plug is unsuitable, it should be dismantled and removed from the supply cord and an appropriate plug fitted as detailed below. If you remove the plug it must not be connected to a 13 amp socket and the plug must be disposed of immediately.

If any other plug is used, a 13 amp fuse must be fitted either in the plug or adaptor or at the distributor board.

Plug should be ASTA approved to BS1363
Fuse should be ASTA approved to BS1362



Ensure that the outer sheath of the cable is firmly held by the cord grip

Guarantee

Please keep your receipt as this will be required for any claims under this guarantee.

This appliance is guaranteed for 1 year after your purchase as described in this document.

During this guaranteed period, if in the unlikely event the appliance no longer functions due to a design or manufacturing fault, please take it back to the place of purchase, with your till receipt and a copy of this guarantee.

The rights and benefits under this guarantee are additional to your statutory rights, which are not affected by this guarantee. Only Jarden Consumer Solutions (Europe) Limited ("JCS (Europe)") has the right to change these terms.

JCS (Europe) undertakes within the guarantee period to repair or replace the appliance, or any part of appliance found to be not working properly free of charge provided that:

- you promptly notify the place of purchase or JCS (Europe) of the problem; and
- the appliance has not been altered in any way or subjected to damage, misuse, abuse, repair or alteration by a person other than a person authorised by JCS (Europe).

Faults that occur through improper use, damage, abuse, use with incorrect voltage, acts of nature, events beyond the control of JCS (Europe), repair or alteration by a person other than a person authorised by JCS (Europe) or failure to follow instructions for use are not covered by this guarantee. Additionally, normal wear and tear, including, but not limited to, minor discoloration and scratches are not covered by this guarantee.

The rights under this guarantee shall only apply to the original purchaser and shall not extend to commercial or communal use.

If your appliance includes a country-specific guarantee or warranty insert please refer to the terms and conditions of such guarantee or warranty in place of this guarantee or contact your local authorized dealer for more information.

Waste electrical products should not be disposed of with Household waste. Please recycle where facilities exist. E-mail us at enquiries info@pulse-uk.co.uk for further recycling and WEEE information.

Jarden Consumer Solutions (Europe) Limited
5400 Lakeside
Cheadle Royal Business Park
Cheadle
SK8 3GQ
UK





Jarden Consumer Solutions (Europe) Limited
Cheadle Royal Business Park, Cheadle, SK8 3GQ, United Kingdom
e-mail: enquiriesEurope@jardencs.com
Telephone: 0161 621 6900

For Customer Service details, please see the website.

www.breville.co.uk

© 2015 Jarden Consumer Solutions (Europe) Limited

All rights reserved. Imported and distributed by Jarden Consumer Solutions (Europe) Limited,
Cheadle Royal Business Park, Cheadle, SK8 3GQ, United Kingdom.

The product supplied may differ slightly from the one illustrated due to continuing product
development.

Printed in China