

Breville®

Turn **on** your creativity™



4.5 litre capacity
slow cooker

product safety

This appliance can be used by children aged from 8 years and above and persons with reduced physical, sensory or mental capabilities or lack of experience and knowledge if they have been given supervision or instruction concerning use of the appliance in a safe way and understand the hazards involved. Children shall not play with the appliance. Cleaning and user maintenance shall not be made by children unless they are older than 8 and supervised. Keep the appliance and its cord out of the reach of children aged less than 8 years.

Parts of the appliance are liable to get hot during use.

If the supply cord is damaged, it must be replaced by the manufacturer, its service agent or similarly qualified persons in order to avoid a hazard.

- ⚠ Allow adequate space above and on all sides for air circulation. Do not allow the appliance to touch any flammable material during use (such as curtains or wall coverings). Do not use under a wall cupboard.
- ⚠ Ensure the appliance is switched off and unplugged from the supply socket after use and before cleaning.
- ⚠ Always allow the appliance to cool before cleaning or storing.
- ⚠ Use extreme caution when moving the appliance when it contains hot food or hot liquids.
- ⚠ The power cord is not replaceable by the user. Always return the appliance if the power cord is damaged to avoid any hazard.
- ⚠ Do not use the appliance if it has been dropped or if there are any visible signs of damage.
- ⚠ Never use this appliance for anything other than its intended use. This appliance is for household use only. Do not use this appliance outdoors
- ⚠ Never immerse any part of the appliance or power cord and plug in water or any other liquid.
- ⚠ Never let the power cord hang over the edge of a work top, touch hot surfaces or become knotted, trapped or pinched.
- ⚠ This appliance must not be placed on or near any potentially hot surfaces (such as a gas or electric hob).
- ⚠ Do not touch the external surfaces of the appliance during use as they may become very hot. Use oven gloves or a cloth when removing the lid. Beware of escaping steam when removing the lid.
- ⚠ Never operate the appliance if it is empty or without the lid fitted or if the lid is cracked or damaged.
- ⚠ Don't place the stoneware cooking pot on any surface affected by heat. Always place the pot onto a trivet or insulated mat. Be careful when placing the cooking pot directly onto delicate or polished surfaces because the base of the pot is unglazed and can cause scratches or other marks. We recommend placing protective padding under the pot to protect these types of surface.

features

1 Glass lid

The glass lid allows you to check cooking progress without having to remove it. Dishwasher safe.

2 Removable ceramic cooking pot

Removable ceramic cooking pot distributes heat efficiently and evenly.

3 Handles

4 Cooker body

5 Control panel

6 Power indicator

7 Temperature control

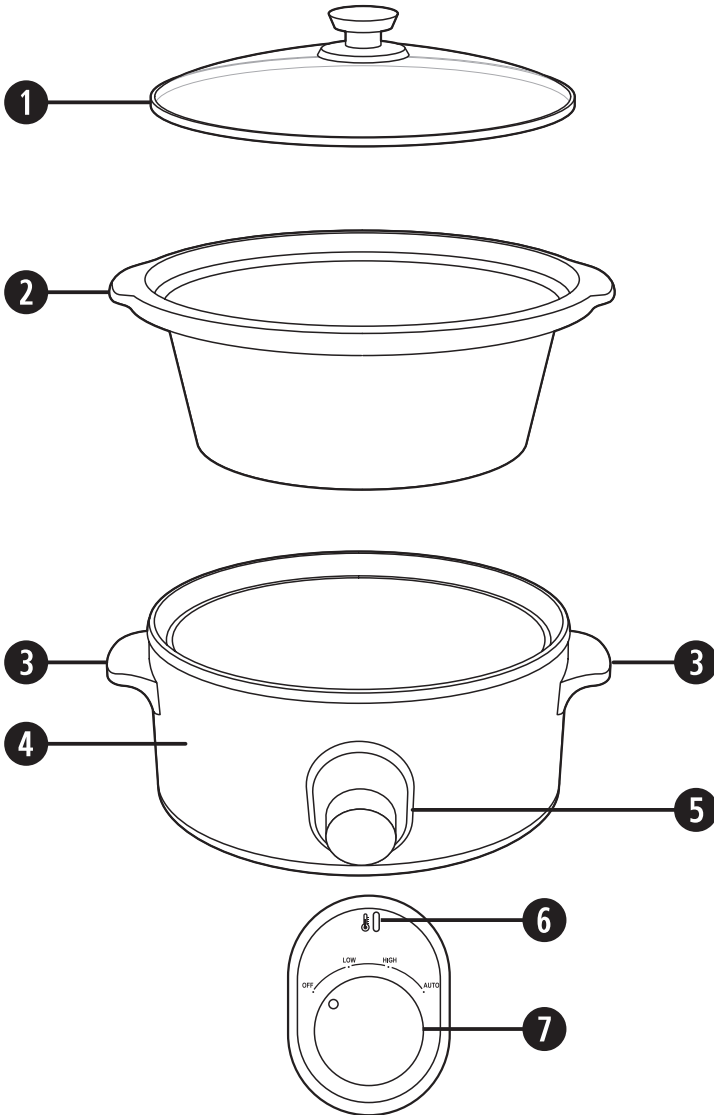
The temperature control allows you to select the required cooking power. There are three settings:

LOW: The low setting gently simmers the food for an extended period of time. It can also be used as a keep warm function which is useful whilst waiting to serve the meal.

HIGH: The high setting is used when baking, cooking dried beans or pulses and will cook food in half the time required for the low setting..

AUTO: The auto setting will first cook on a high temperature and then reduce automatically to a lower heat setting. This setting is ideal for slow cooking meals overnight or when you are away for most of the day.

parts overview



Due to our policy of continuous improvement, the actual product may differ slightly from the one illustrated in these instructions.

using your slow cooker

Before first use

▲ Make sure your slow cooker is switched off and unplugged from the mains supply socket before cleaning. Never immerse the base of the cooker body, cord or plug in water or any other liquid.

Before using your slow cooker for the first time, wash the ceramic cooking bowl and glass lid in warm, soapy water. Rinse and dry thoroughly. Do not use harsh abrasives, chemicals or oven cleaners.

Using a damp cloth or sponge, wipe the exterior and interior of the cooker body. Use a mild detergent solution.

Using your slow cooker

▲ During use, the glass lid and ceramic cooking pot will get very hot. Always handle with care and use oven gloves.

Always check that the food is thoroughly cooked before serving.

Position your slow cooker on a dry, flat, stable surface away from any potential heat source (hob, oven, etc.). Make sure that the mains lead does not hang over the work surface edge.

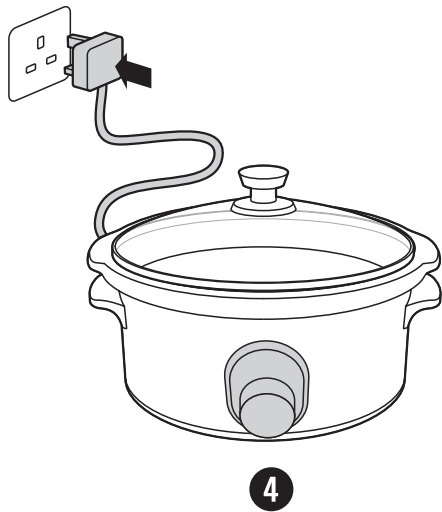
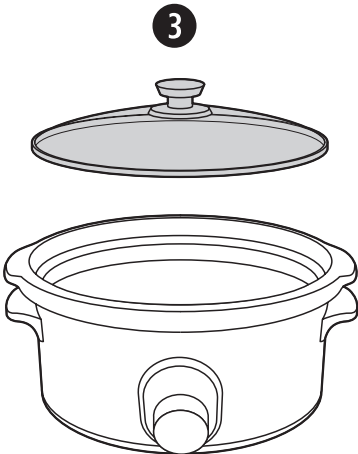
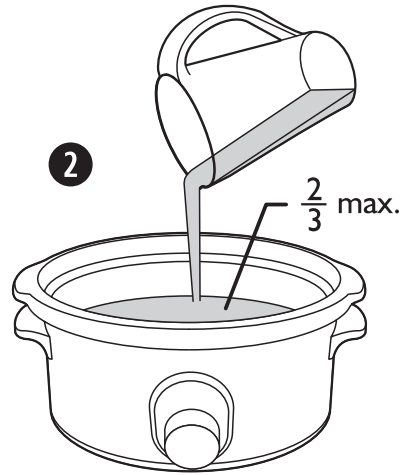
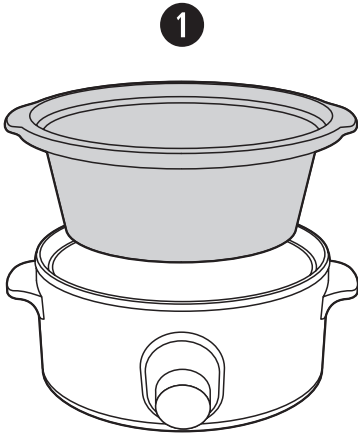
1. Place the ceramic cooking pot inside your slow cooker's base. Ensure the ceramic cooking pot is positioned correctly before continuing.
2. Add the prepared ingredients into the ceramic cooking pot. Never put food or liquid into the body of your slow cooker, always use the ceramic cooking pot. Don't overfill the pot. We recommend not to fill it more than two thirds full.
3. Place the glass lid onto the ceramic cooking pot.
4. Plug your slow cooker into a suitable mains supply. Set the temperature control to the desired setting.

LOW: The low setting gently simmers the food for an extended period of time. It can also be used as a keep warm function which is useful whilst waiting to serve the meal.

HIGH: The high setting is used when baking, cooking dried beans or pulses and will cook food in half the time required for the low setting. The food will boil on the high setting and it may be necessary to add extra liquid, depending on the recipe and the amount of time in which it is cooked. Food should be occasionally monitored when using the high setting. Cooking time is 4-8 hours.

AUTO: The auto setting will first cook on a high temperature and then reduce automatically to a lower heat setting. This setting is ideal for slow cooking meals overnight or when you are away for most of the day.

Once you have set the temperature control dial the power indicator will illuminate and the cooker will start cooking.

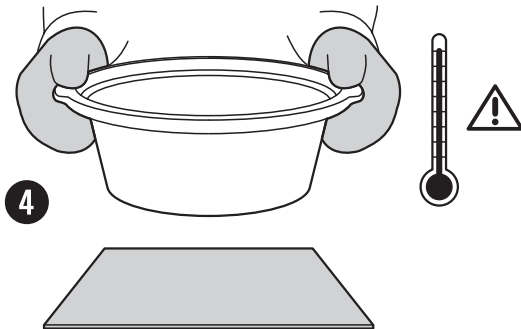
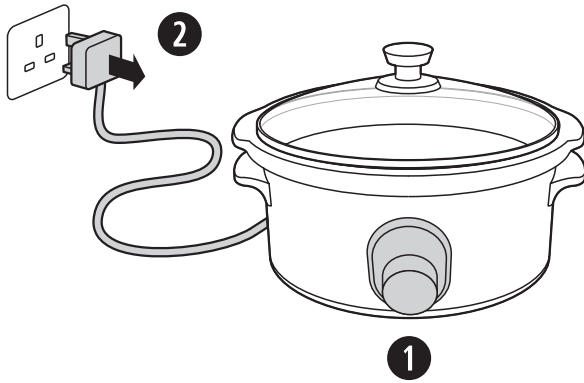


using your slow cooker

Your slow cooker works by building up heat and maintaining an even temperature. For the best results do not remove the glass lid before half the cooking time has elapsed. The glass lid allows you to monitor cooking progress without interrupting the cooking time.

If you aren't going to serve your meal straight away, you can set the temperature control of your slow cooker to LOW. This will keep your meal warm until you serve the food.

1. When cooking is finished, set the temperature control to the OFF position.
2. Unplug your slow cooker from the mains supply socket.
3. Using oven gloves, remove the glass lid. Angle the glass lid away from you as you remove it. This will allow any build up of steam to escape safely away from your hands, arms and face.
4. Carefully lift the ceramic cooking pot out of the cooker body. Place the ceramic cooking pot on a heat resistant surface. Don't place the ceramic cooking pot on any surface affected by heat. A trivet or an insulated pad is recommended. Be careful when placing the cooking pot directly onto delicate or polished surfaces because the base of the pot is unglazed and can cause scratches or other marks. We recommend placing protective padding under the pot to protect these types of surface.



guide to slow cooking

Adapting recipes for your slow cooker

This section is designed to help you adapt your favourite recipes so they can be cooked in your slow cooker. Many recipes can be converted to cooking in your slow cooker. Soups and stews, of course, are natural favourites. Casseroles and most meats benefit from the low temperatures and even cooking.

- Allow sufficient time for cooking.
- Do not add as much liquid as your recipe indicates. Generally, only half of the amount of liquid specified in the recipe needs to be added. This is because liquids do not boil away as in conventional cooking. Should you have too much liquid at the end of cooking, remove the lid and cook on the **HIGH** setting until the excess liquid has evaporated away.
- Many of the steps in conventional recipes may be ignored. Because vegetables don't overcook, everything can go into your slow cooker at the same time. However, milk, cream or sour cream should be added during the last hour of cooking.

Cooking time guide

Use the following table for suggested cooking times and settings when adjusting your favourite recipes. Always check that the food is thoroughly cooked before serving.

| Recipe time | AUTO setting | HIGH setting |
|--------------------|---------------|----------------|
| 15 to 30 mins | 4 to 6 hours | 1.5 to 2 hours |
| 35 to 45 mins | 6 to 10 hours | 3 to 4 hours |
| 50 mins to 3 hours | 8 to 18 hours | 4 to 6 hours |

These times are approximate and can vary depending on the ingredients and quantities.

Preparing meat and poultry

When selecting meat, look for the leanest cuts. Trim any visible fat from the meat because the slow cooking process will result in too much liquid in the form of fat. If possible, use chicken without skin. For casserole style recipes, cut the meat into cubes, approximately 2.5cm (1").

Less tender cuts of meat are ideal to use in your slow cooker because the prolonged cooking periods make them tender and tasty. The table below shows cuts suitable for use.

| Meat | Cut |
|------|---|
| Beef | Brisket, shin, silverside, topside, stewing steak, braising steak |
| Lamb | Neck, forequarter, neck chops, shanks, shoulder chops |
| Pork | Leg steaks, butterfly steaks, loin chops, fillet |

Browning before cooking

Pre-browning meat and poultry prior to cooking seals in the moisture, intensifies the flavour and provides more tender results.

It also provides much richer flavours in other foods such as onions, peppers and leeks.

Pre-browning may take little extra time, and whilst not strictly necessary, the rewards are evident in the end result. To brown, use a non-stick pan on the stove. Use a minimal amount of oil. Without browning, some meat and poultry may appear bland when cooked in your slow cooker.

Roasting

Roasting in your slow cooker results in tender, flavoursome meats which are easy to slice. The long, slow covered cooking process breaks down and softens the connective tissues within the meats, therefore the cheaper cuts of meat provide perfect results cooked by this method.

The addition of liquids is not necessary for roasting. A minimal amount is required for pot-roasting. Raise the meat to be roasted on an inverted heatproof plate or saucer so the meat is kept free of any fat released throughout the cooking process. Suitable cuts for roasting include:

| Meat | Cut |
|------|---|
| Beef | Blade, fillet, rump, sirloin, silverside, topside |
| Lamb | Leg, mid loin, rack, shank, shoulders, mini roast |
| Pork | Loin, neck, leg, racks |

Suitable cuts for pot roasting include:

| Meat | Cut |
|------|---|
| Beef | Blade, chunk, round, silverside, skirt, topside |
| Lamb | Forequarter, shank, shoulder |
| Pork | Loin, neck |

Preparing vegetables

A characteristic of slow cooking is that vegetables generally cook much slower than most meat. Most vegetables should be cut into small bite sized pieces and placed near to the sides and as close to the bottom of the ceramic pot as possible. Meat should then be placed on top of the vegetables. Carrots should be peeled and placed where they will be completely covered by liquid. Frozen vegetables should be thawed before adding to the other foods in your slow cooker.

guide to slow cooking

Pasta and rice

If a recipe requires noodles, macaroni etc. to be added, cook on a conventional stove until slightly tender and add to your slow cooker during the last 30 minutes of cooking. To use rice, stir in with the other ingredients and add $\frac{1}{4}$ cup extra of liquid for every $\frac{1}{4}$ cup of rice. Long grain rice gives better results.

Herbs and spices

Leaf or whole herbs and spices are preferred. As the flavour of these is stronger, it is recommended to use half the suggested amount. If using ground or dried herbs and spices, add during the last hour of cooking. Always taste and season before serving.

Milk and cream

Milk, cream and sour cream tend to break down during extended cooking. When possible, add during the last hour of cooking.

⚠ Always unplug your slow cooker before cleaning it. Never immerse the cooker body, mains lead or plug in water or any other liquid. Never use harsh abrasive cleaners or cleaning materials.

Before cleaning

- Ensure the temperature control dial is set to the 'OFF' position.
- Ensure the slow cooker is switched off and unplugged at the mains supply.
- Allow all parts of the cooker to cool completely. To prevent damage to the glass lid and ceramic cooking pot, avoid severe temperatures changes, direct heat or sudden cooling.

Cleaning the ceramic cooking pot and glass lid

- Remove the ceramic cooking pot and glass lid. Wash the ceramic cooking pot and glass lid in warm, soapy water. Rinse and dry thoroughly.
- The glass lid (only) can be washed in a dishwasher.
- To remove stubborn stains and foodstuff from the ceramic cooking pot, fill it 2/3 full with warm soapy water and leave it to soak. Rinse and dry thoroughly.

Cleaning the cooker body

The interior and exterior of the cooker body can be wiped with a soft, damp cloth.

LEEK AND POTATO SOUP - Serves 4

| | |
|------------------------------|--------------------------|
| 30g butter | 600ml chicken stock |
| 300g potatoes, thinly sliced | salt and pepper to taste |
| 500g leeks, thinly sliced | 175ml milk |
| 20g flour | |

1. Heat the butter in a large pan and fry the vegetables for 2-3 minutes.
2. Stir in the flour and add the stock.
3. Season to taste.
4. Bring to the boil, stirring all the time.
5. Place soup mixture into the cooker.
6. Cover and cook on high for 3 hours, Auto for 4 hours or low for 6-7 hours.
7. Add the milk and cook for a further 30 minutes.

For a healthier recipe why not replace the butter with vegetable oil?

CHILLI CON CARNE - Serves 4

| | |
|----------------------------|---|
| 1 tbsp vegetable oil | 3 tbsp tomato puree |
| 1½ onions, chopped | 3 tsp chilli powder |
| 600g minced beef | 1 beef stock cube, dissolved in 150ml hot water |
| 1½ x 400g can tomatoes | Salt and pepper |
| 1½ x 400g can kidney beans | |
| 2 clove garlic, chopped | |

1. Heat the oil in a large, non-stick pan. Add the onions and cook for a few minutes until softened. Drain off excess oil and add the onions to the cooking pot.
2. Brown the mince in the same pan, in batches if necessary. Drain any excess fat and add the mince to the cooking pot.
3. Add the remaining ingredients to the cooking pot and stir well. Season to taste.
4. Cover and cook on high for 3 hours, Auto for 5 hours or low for 6-7 hours.

BEEF AND VEGETABLES IN A RED WINE SAUCE - Serves 4

| | |
|-----------------------------------|--------------------------------|
| 800g stewing steak | 400g chopped tomatoes |
| 1 tbsp vegetable oil | 1½ tbsp tomato puree |
| 2 small carrots, chopped | 250ml beef stock |
| 2 small stalks of celery, chopped | 180ml red wine |
| 150g button mushrooms, sliced | 1½ tsp dried mixed herbs |
| 1 large onion, chopped | large pinch of salt and pepper |
| 30g flour | 1 bay leaf |

1. Place the flour into a large bowl and season with salt and pepper. Add the beef to the flour and coat the beef removing any excess flour.
2. Heat the vegetable oil in a large frying pan and brown the beef, (in batches if using a large quantity). Add to the cooking pot
3. Add the remaining ingredients and stir well to combine.
4. Cover and cook on High for 4-5 hours, Auto for 6-7 hours or Low for 8-9 hours.

CHUNKY VEGETABLE CHILLI - Serves 4

| | |
|-----------------------------------|-----------------------------|
| 1 medium courgette, diced | 400g can chopped tomatoes |
| 1 medium green pepper, diced | 198g can sweetcorn, drained |
| 1 small onion, chopped | 400g can kidney beans |
| 1 medium stick of celery, chopped | 1 tbsp tomato puree |
| 2 cloves of garlic finely chopped | 200ml vegetable stock |
| 2 tsp chilli powder | |

1. Add the ingredients to the slow cooker. Stir.
2. Cover and cook on high for 4-5 hours, Auto for 6-7 hours or low for 7-8 hours.
3. To serve, ladle into bowls and top with a spoonful of soured cream.

connection to the mains supply

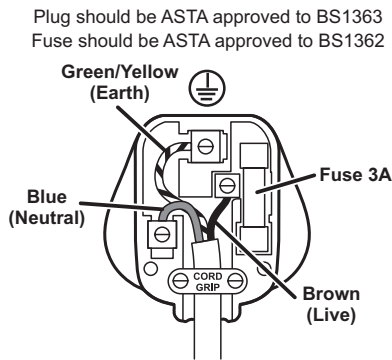
⚠ This appliance must be earthed.

If the plug is not suitable for the socket outlets in your home, it can be removed and replaced by a plug of the correct type.

If the fuse in a moulded plug needs to be changed, the fuse cover must be refitted. The appliance must not be used without the fuse cover fitted.

If the plug is unsuitable, it should be dismantled and removed from the supply cord and an appropriate plug fitted as detailed. If you remove the plug it must not be connected to a 13 amp socket and the plug must be disposed of immediately.

If the terminals in the plug are not marked or if you are unsure about the installation of the plug please contact a qualified electrician.



Ensure that the outer sheath of the cable is firmly held by the cord grip

These appliances are built to the very highest of standards. There are no user serviceable parts. Follow these steps if the unit fails to operate:

1. Check the instructions have been followed correctly.
2. Check that the fuse has not blown.
3. Check that the mains supply is functional.

If the appliance will still not operate, return the appliance to the place it was purchased for a replacement. To return the appliance to the Customer Service Department, follow the steps below:

1. Pack it carefully (preferably in the original carton). Ensure the unit is clean.
2. Enclose your name and address and quote the model number on all correspondence.
3. Give the reason why you are returning it.
4. If within the guarantee period, state when and where it was purchased and include proof of purchase (e.g. till receipt).
5. Send it to our Customer Service Department at the address below:

Customer Service Department
Jarden Consumer Solutions (Europe) Limited
Middleton Road, Royton, Oldham OL2 5LN, UK.
Telephone: 0161 621 6900 Fax: 0161 626 0391
e-mail: enquiriesEurope@jardencs.com

Replacement parts

For additional or replacement parts, please visit www.breville.co.uk or call us on **0161 621 6900**.

Troubleshooting

For troubleshooting and FAQs visit www.breville.co.uk/faqs

Turn on your Creativity™

Let the Breville® team help you turn on your creativity with a gateway to a world of food and drinks without limits. You don't have to travel far—just to your computer, tablet or mobile—where you will discover our FREE website with top tips and recipes to inspire your imagination. Join us now at www.turnonyourcreativity.com

Turn  your creativity™

guarantee

Please keep your receipt as this will be required for any claims under this guarantee.

This appliance is guaranteed for 1 year after your purchase as described in this document.

During this guaranteed period, if in the unlikely event the appliance no longer functions due to a design or manufacturing fault, please take it back to the place of purchase, with your till receipt and a copy of this guarantee.

The rights and benefits under this guarantee are additional to your statutory rights, which are not affected by this guarantee. Only Jarden Consumer Solutions (Europe) Limited. (“JCS (Europe)”) has the right to change these terms.

JCS (Europe) undertakes within the guarantee period to repair or replace the appliance, or any part of appliance found to be not working properly free of charge provided that:

- you promptly notify the place of purchase or JCS (Europe) of the problem; and
- the appliance has not been altered in any way or subjected to damage, misuse, abuse, repair or alteration by a person other than a person authorised by JCS (Europe).

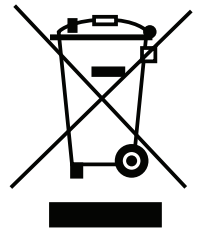
Faults that occur through, improper use, damage, abuse, use with incorrect voltage, acts of nature, events beyond the control of JCS (Europe), repair or alteration by a person other than a person authorised by JCS (Europe) or failure to follow instructions for use are not covered by this guarantee. Additionally, normal wear and tear, including, but not limited to, minor discoloration and scratches are not covered by this guarantee.

The rights under this guarantee shall only apply to the original purchaser and shall not extend to commercial or communal use.

If your appliance includes a country-specific guarantee or warranty insert please refer to the terms and conditions of such guarantee or warranty in place of this guarantee or contact your local authorized dealer for more information.

Waste electrical products should not be disposed of with Household waste. Please recycle where facilities exist. E-mail us at enquiries info@pulse-uk.co.uk for further recycling and WEEE information.

Jarden Consumer Solutions (Europe) Limited
5400 Lakeside
Cheadle Royal Business Park
Cheadle
SK8 3GQ
UK





Breville®

Jarden Consumer Solutions (Europe) Limited
Cheadle Royal Business Park, Cheadle, SK8 3GQ, United Kingdom
e-mail: enquiriesEurope@jardencs.com
Telephone: 0161 621 6900

For Customer Service details, please see the website.

www.breville.co.uk

© 2015 Jarden Consumer Solutions (Europe) Limited

All rights reserved. Imported and distributed by Jarden Consumer Solutions (Europe) Limited,
Cheadle Royal Business Park, Cheadle, SK8 3GQ, United Kingdom.

The product supplied may differ slightly from the one illustrated due to continuing product development.

Printed in China