

# Breville®

Turn **on** your creativity™



**illuminated**  
filter kettle

*Water Technology by*



## **IMPORTANT SAFETY INSTRUCTIONS. READ CAREFULLY AND KEEP FOR FUTURE REFERENCE**

**This appliance can be used by children aged from 8 years and above if they have been given supervision or instruction concerning use of the appliance in a safe way and if they understand the hazards involved. Cleaning and user maintenance shall not be made by children unless they are older than 8 and supervised. Keep the appliance and its cord out of reach of children aged less than 8 years.**

**Children shall not play with the appliance.**

**Never use a power base other than the one supplied with the appliance.**

**Never fill the kettle above the MAX marking. If the kettle is overfilled, boiling water may be ejected.**

**If the supply cord is damaged, it must be replaced by the manufacturer, its service agent or similarly qualified persons in order to avoid a hazard.**

- ⚠ This appliance generates heat during use. Adequate precaution must be taken to prevent the risk of burns, scalds, fires or other damage to persons or property caused by touching the exterior whilst in use or during cooling.
- ⚠ Never use this appliance for anything other than its intended use. This appliance is for household use only. Do not use this appliance outdoors.
- ⚠ Always ensure that hands are dry before handling the plug or switching on the appliance.
- ⚠ Always use the appliance on a stable, secure, dry and level surface.
- ⚠ This appliance must not be placed on or near any potentially hot surfaces (such as a gas or electric hob).
- ⚠ Do not use the appliance if it has been dropped, if there are any visible signs of damage or if it is leaking.
- ⚠ Ensure the appliance is switched off and unplugged from the supply socket after use and before cleaning.
- ⚠ Always allow the appliance to cool before cleaning or storing.
- ⚠ Never immerse any part of the appliance or power cord and plug in water or any other liquid.
- ⚠ Never let the power cord hang over the edge of a worktop, touch hot surfaces or become knotted, trapped or pinched.
- ⚠ Never leave the appliance unattended when in use.

- △ Beware of steam coming from the spout or lid especially during refilling. Never open the lid during the boiling cycle.
- △ Never fill the appliance when it is positioned on the power base.
- △ Never use the kettle without sufficient water in the kettle for it to operate correctly.
- △ Never allow the appliance to boil dry.
- △ Never filter hot or boiling water.
- △ Never attempt to filter untreated, raw water or water of unknown quality. The filter must only be used with municipally treated tap water.
- △ Never use the appliance without the filter funnel, BRITA® filter cartridge or lid in position.
- △ Always ensure that the filter is positioned securely in the filter funnel.

# features



- 1 BRITA® Memo start button
- 2 BRITA® Memo display
- 3 Hinged lid
- 4 Lid release button
- 5 Illuminated water chamber
- 6 On/off switch
- 7 BRITA® MAXTRA filter cartridge
- 8 360° power base with cord storage and cable exit
- 9 Fast boil 3000W concealed element
- 10 Filter funnel (inside kettle)
- 11 Spout

Due to our policy of continuous improvement, the actual product may differ slightly from the one illustrated in these instructions.

# before using for the first time

---

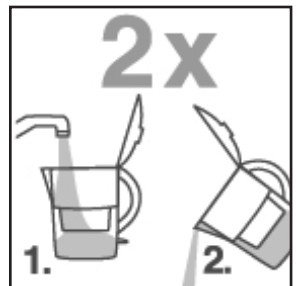
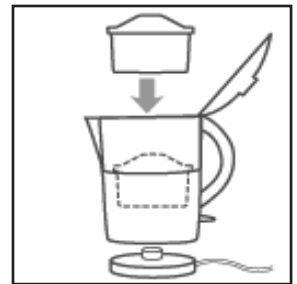
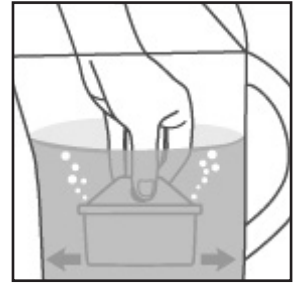
Please follow the information on the use of BRITA® filter cartridges and the BRITA® Memo indicated in the BRITA® information guide.

1. Remove any packaging/promotional material from the kettle.
2. Always use your kettle on a dry, level, stable, secure work surface.
3. Open the lid and lift out the filter funnel. Wash it in warm, soapy water. Rinse and dry thoroughly then replace the filter funnel.
4. Follow the section on preparing the BRITA® MAXTRA cartridge on page 6.
5. After preparing and installing the BRITA® MAXTRA cartridge, fill, boil then discard the water twice. This will remove any residue left over from the manufacturing process. Your BRITA® filter kettle is now ready for use. Note that you will only need to do this procedure once and not each time you renew the BRITA® cartridge.

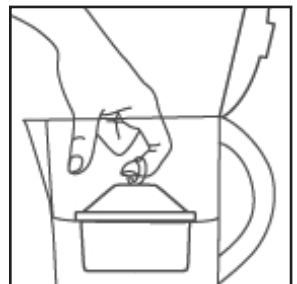
Before connecting to a power source, make sure your mains supply voltage is the same as the one indicated on the appliance. Connect the plug to a suitable power outlet and make sure that the power cord does not overhang the work surface.

# preparing the BRITA® MAXTRA cartridge

1. Remove the cartridge from its wrapping (it is normal for the cartridge to appear moist during storage).
2. Immerse the cartridge in cold water and shake gently to remove any air bubbles. There is no need to pre-soak this cartridge before use.
3. Insert the cartridge into the filter funnel and push it firmly into place. When correctly fitted, the cartridge should remain in place when the funnel is turned upside-down.
4. Fill the filter funnel with cold tap water and allow it to filter through, then discard the water. Repeat this process, again discarding the water.
5. Refill the filter funnel with water - the BRITA® MAXTRA cartridge is now ready for use. You do not need to keep the filter cartridge immersed in water.



- Always make sure that you have MAXTRA spare cartridges to hand. When buying new cartridges look for the BRITA® MAXTRA filter on the cartridge packaging.
- When it is time to replace the BRITA® MAXTRA filter cartridge after 4 weeks use, simply lift the handle on top of the cartridge and pull upwards to remove. BRITA® cartridges are 100% recyclable. Visit [www.brita.co.uk](http://www.brita.co.uk) or call the BRITA® Care team for further information on participating retailers.
- Repeat steps 1-5 with a new cartridge.



# using the BRITA® Memo function

It is important to change your BRITA® filter cartridge regularly to enjoy the benefits of BRITA® filtered water. Filtering your water improves the look and taste of hot drinks by reducing limescale (carbonate hardness), chlorine and other impurities.

The BRITA® Memo automatically reminds you when your filter cartridge needs to be changed.

When you have fitted and prepared your filter cartridge, start the Memo as follows:

1. Press and hold the Start button until 4 bars appear on the display and flash twice. The Memo is now set.
2. The flashing dot in the corner of the display indicates that the Memo is working.
3. Every week, one bar will disappear to indicate the remaining cartridge life. When only one bar is showing, check that you have a replacement filter cartridge available.
4. After 4 weeks, all four bars will disappear and a flashing arrow will appear to indicate that the cartridge should be replaced.

Wash and dry the filter funnel, insert a new cartridge and restart the Memo as described above.

Please note that the Memo is only intended to be used with BRITA® filter cartridges.



# using your kettle

---

**▲ If this kettle is filled above the maximum level mark, hot water may be ejected from the spout during boiling. Beware of steam coming from the spout or lid especially during refilling. Never open the lid when the kettle is boiling. The Filter and filter funnel must be fitted to the kettle in order for it to operate correctly.**

1. With the kettle switched off, plug the power base into a suitable power outlet.
2. Remove the kettle from the power base before filling it with water. Do not fill the kettle through the spout.
3. Open the lid and fill the kettle with water. Don't overfill the kettle and always ensure that there is sufficient water in the kettle for it to operate correctly. This is approximately 250ml or 1 teacup full. Always check the water level when the kettle is positioned on its power base. Allow a short time after filling for the water to pass through the filter.
4. Close the lid and then switch the kettle on. Make sure that the lid is closed correctly to ensure safe operation.
5. When the kettle is switched on, the switch and the water level window will illuminate.
6. When the water reaches boiling point, the kettle will switch off automatically. The water level window illumination will switch off.
7. You may also switch the kettle off manually at any time by moving the switch to the off position.

Always use caution when carrying your kettle when it is full of boiling water and when pouring it.

## Energy saving hints and tips

A Breville® kettle, if used correctly, is a very energy efficient device. Why not try some of these energy saving tips:

- Only boil the water you need. Overfilling your kettle by one cup is the equivalent to using an energy saving light bulb for one hour!
- It is not always necessary to re-boil your kettle. For example, one litre of water will still be at 90°C after five minutes - the perfect temperature for a cup of coffee.

## If the kettle boils dry

If the kettle is operated with insufficient water a built in fail-safe device will automatically switch off the kettle.

- Unplug the kettle and allow it to cool. When the kettle has cooled down sufficiently the device will reset itself.
- Once the device has reset, refill the kettle with cold water and use it as normal.



**⚠ Always unplug the kettle from the mains supply socket and allow it to completely cool down before cleaning or descaling it. Do not immerse the kettle, power base or power cord and plug in water or any other liquid.**

- Clean the exterior surface of the kettle with a damp cloth and then polish with a soft dry cloth. Do not use steel wool pads or harsh/abrasive cleaners.
- Descale your kettle to keep it working efficiently. Use a proprietary descaling product following the manufacturer's instructions carefully. Please note that when using the BRITA® filter cartridge properly and regularly, you would need to descale your kettle less often.
- When descaling the kettle using a descaling product, you must remove the BRITA® filter cartridge and the filter funnel. After descaling, thoroughly rinse the kettle then refit the filter funnel and the BRITA® filter.
- Always follow the manufacturers instructions carefully when descaling the kettle.
- Each time the filter cartridge is replaced, wash the filter funnel in warm, soapy water, rinse thoroughly and dry before preparing and fitting the new filter cartridge.

# connection to the mains supply

---

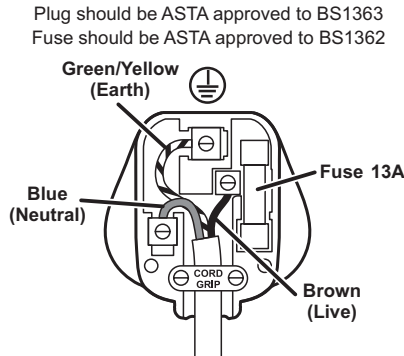
## **⚠ This appliance must be earthed.**

If the plug is not suitable for the socket outlets in your home, it can be removed and replaced by a plug of the correct type.

If the fuse in a moulded plug needs to be changed, the fuse cover must be refitted. The appliance must not be used without the fuse cover fitted.

If the plug is unsuitable, it should be dismantled and removed from the supply cord and an appropriate plug fitted as detailed. If you remove the plug it must not be connected to a 13 amp socket and the plug must be disposed of immediately.

If the terminals in the plug are not marked or if you are unsure about the installation of the plug please contact a qualified electrician.



Ensure that the outer sheath of the cable is firmly held by the cord grip

These appliances are built to the very highest of standards. There are no user serviceable parts. Follow these steps if the unit fails to operate:

1. Check the instructions have been followed correctly.
2. Check that the fuse has not blown.
3. Check that the mains supply is functional.

If the appliance will still not operate, return the appliance to the place it was purchased for a replacement. To return the appliance to the Customer Service Department, follow the steps below:

4. Pack it carefully (preferably in the original carton). Ensure the unit is clean.
5. Enclose your name and address and quote the model number on all correspondence.
6. Give the reason why you are returning it.
7. If within the guarantee period, state when and where it was purchased and include proof of purchase (e.g. till receipt).
8. Send it to our Customer Service Department at the address below:

**Customer Service Department**

**Jarden Consumer Solutions (Europe) Limited  
Middleton Road, Royton, Oldham OL2 5LN, UK  
Telephone: 0161 621 6900 Fax: 0161 626 0391  
e-mail: [enquiriesEurope@jardencs.com](mailto:enquiriesEurope@jardencs.com)**

6. For BRITA®/MAXTRA water filter cartridge and BRITA® Memo queries, contact BRITA® Customer Care Services on:

**[www.brita.co.uk](http://www.brita.co.uk)  
Telephone: 0844 742 4800  
E-mail: [enquiries@brita.co.uk](mailto:enquiries@brita.co.uk)**

## useful information

---

### Replacement parts

For additional or replacement parts, please visit [www.breville.co.uk](http://www.breville.co.uk) or call us on **0161 621 6900**.

### Troubleshooting

For troubleshooting and FAQs visit: [www.breville.co.uk/faqs](http://www.breville.co.uk/faqs)

### Turn on your Creativity™

Let the Breville® team help you turn on your creativity with a gateway to a world of food and drinks without limits. You don't have to travel far—just to your computer, tablet or mobile—where you will discover our FREE website with top tips and recipes to inspire your imagination. Join us now at [www.turnonyourcreativity.com](http://www.turnonyourcreativity.com)

Turn  your creativity™

Please keep your receipt as this will be required for any claims under this guarantee.

This appliance is guaranteed for 1 year after your purchase as described in this document.

During this guaranteed period, if in the unlikely event the appliance no longer functions due to a design or manufacturing fault, please take it back to the place of purchase, with your till receipt and a copy of this guarantee.

The rights and benefits under this guarantee are additional to your statutory rights, which are not affected by this guarantee. Only Jarden Consumer Solutions (Europe) Limited (“JCS (Europe)”) has the right to change these terms.

JCS (Europe) undertakes within the guarantee period to repair or replace the appliance, or any part of appliance found to be not working properly free of charge provided that:

- you promptly notify the place of purchase or JCS (Europe) of the problem; and
- the appliance has not been altered in any way or subjected to damage, misuse, abuse, repair or alteration by a person other than a person authorised by JCS (Europe).

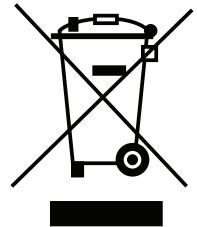
Faults that occur through, improper use, damage, abuse, use with incorrect voltage, acts of nature, events beyond the control of JCS (Europe), repair or alteration by a person other than a person authorised by JCS (Europe) or failure to follow instructions for use are not covered by this guarantee. Additionally, normal wear and tear, including, but not limited to, minor discoloration and scratches are not covered by this guarantee.

The rights under this guarantee shall only apply to the original purchaser and shall not extend to commercial or communal use.

If your appliance includes a country-specific guarantee or warranty insert please refer to the terms and conditions of such guarantee or warranty in place of this guarantee or contact your local authorized dealer for more information.

Waste electrical products should not be disposed of with household waste. Please recycle where facilities exist. E-mail us at [enquiriesEurope@jardencs.com](mailto:enquiriesEurope@jardencs.com) for further recycling and WEEE information.

Jarden Consumer Solutions (Europe) Limited  
5400 Lakeside  
Cheadle Royal Business Park  
Cheadle  
SK8 3GQ  
UK







# Breville®

Jarden Consumer Solutions (Europe) Limited  
Cheadle Royal Business Park, Cheadle, SK8 3GQ, United Kingdom  
e-mail: [enquiriesEurope@jardencs.com](mailto:enquiriesEurope@jardencs.com)  
Telephone: 0161 621 6900

For Customer Service details, please see the website.

[www.breville.co.uk](http://www.breville.co.uk)

© 2014 Jarden Consumer Solutions (Europe) Limited

All rights reserved. Imported and distributed by Jarden Consumer Solutions (Europe) Limited,  
Cheadle Royal Business Park, Cheadle, SK8 3GQ, United Kingdom.

The product supplied may differ slightly from the one illustrated due to continuing product development.

Printed in China