

Breville®

Turn **on** your creativity®



HotCup™ with variable dispense
Hot water dispenser

READ CAREFULLY AND KEEP FOR FUTURE REFERENCE

This appliance can be used by children aged from 8 years and above and persons with reduced physical, sensory or mental capabilities or lack of experience and knowledge if they have been given supervision or instruction concerning use of the appliance in a safe way and understand the hazards involved. Children shall not play with the appliance. Cleaning and user maintenance shall not be made by children unless they are older than 8 and supervised.

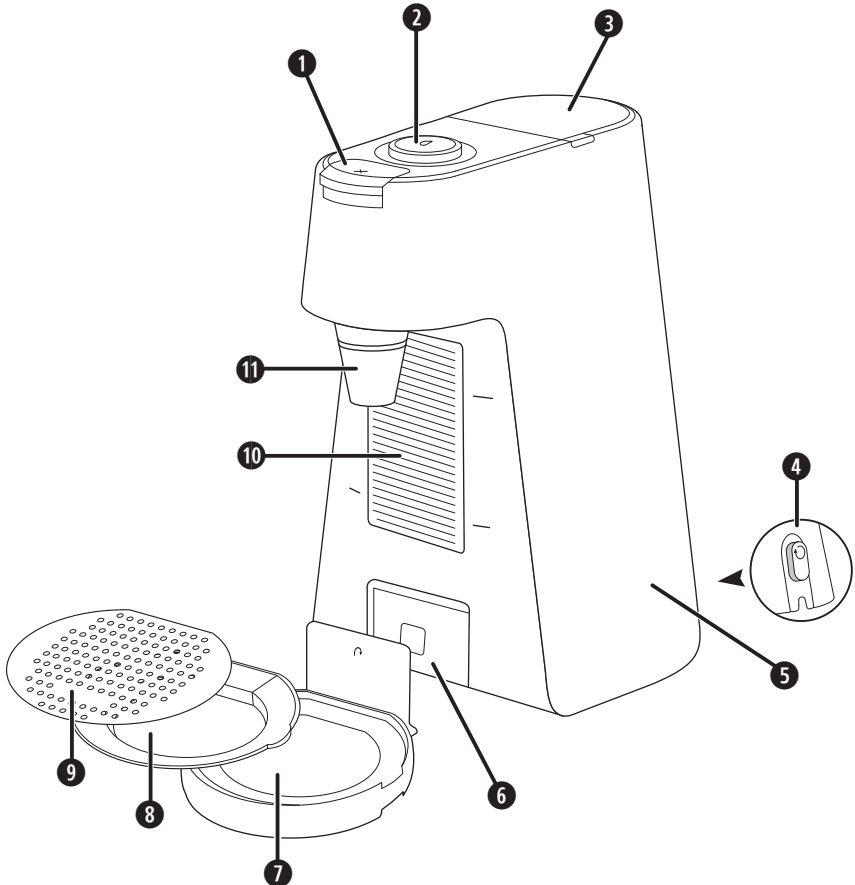
Keep the appliance and its cord out of the reach of children aged less than 8 years.

Never fill the appliance above the MAX marking. If the appliance is overfilled, boiling water may be ejected and the appliance may overflow.

If the supply cord is damaged, it must be replaced by the manufacturer, its service agent or similarly qualified persons in order to avoid a hazard.

- △ This appliance generates heat during use. Adequate precaution must be taken to prevent the risk of burns, scalds, fires or other damage to persons or property caused by touching the exterior whilst in use or during cooling.
- △ Never use this appliance for anything other than its intended use. This appliance is for household use only. Do not use this appliance outdoors.
- △ Always ensure that hands are dry before handling the plug or switching on the appliance.
- △ Always use the appliance on a stable, secure, dry and level surface.
- △ This appliance must not be placed on or near any potentially hot surfaces (such as a gas or electric hob).
- △ Do not use the appliance if it has been dropped, if there are any visible signs of damage or if it is leaking.
- △ Ensure the appliance is switched off and unplugged from the supply socket after use and before cleaning.
- △ Always allow the appliance to cool before cleaning or storing.
- △ Never immerse any part of the appliance (excluding the drip tray and stainless steel drip tray cover) or power cord and plug in water or any other liquid.
- △ Never let the power cord hang over the edge of a worktop, touch hot surfaces or become knotted, trapped or pinched.
- △ Never leave the appliance unattended when in use.
- △ Beware of steam coming from the spout or lid especially during refilling. Never open the lid during the boiling cycle.
- △ Never use the appliance without sufficient water in the kettle for it to operate correctly.
- △ Never allow the appliance to boil dry.

1. Stop button
2. Start button / Dispensing control
3. Lid
4. Re-set button (rear)
5. Heating chamber
6. Magnetised drip tray plate – allows easy positioning of drip tray
7. Drip tray holder – removable and reversible to hold different cup sizes
8. Drip tray inner
9. Stainless steel drip tray cover
10. Illuminated water reservoir
11. Illuminated dispensing nozzle



Due to our policy of continuous improvement, the actual product may differ slightly from the one illustrated in these instructions.

using your HotCup™ water dispenser

Before using your HotCup™ water dispenser for the first time

- Remove your HotCup™ water dispenser carefully from the box. Remove any packaging and promotional material and position it on a dry, level, secure work surface away from the edge.
- Make sure that the re-set button at the rear of the appliance is pressed in.
- Follow the instructions below on using your HotCup™ water dispenser and discard the first full tank of boiled water by cycling the appliance. This will remove any residues that may remain from the manufacturing process.

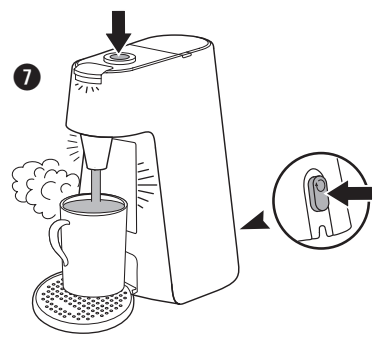
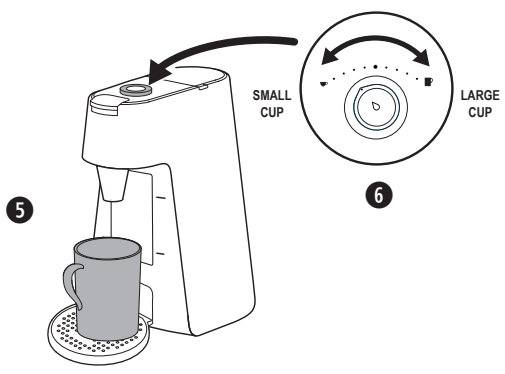
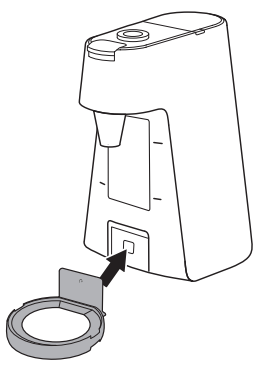
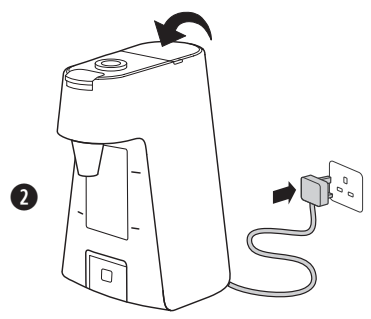
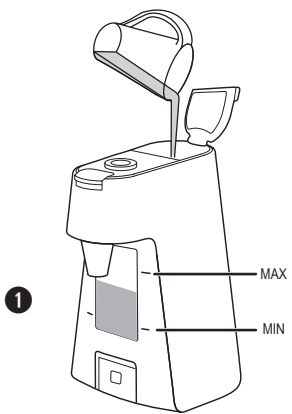
Using your HotCup™ water dispenser

▲ Always position your HotCup™ water dispenser in such a way that the start button cannot be accidentally operated especially by children.

If water has been left in your HotCup™ water dispenser for a number of days, fill the water reservoir to the MAX marking and discard all of the water by cycling the appliance as described below.

1. Lift the lid. Fill the water reservoir with cold water using a suitable jug. The water level should be between the MIN and MAX markings.
2. Close the lid, then plug your HotCup™ water dispenser into a mains supply socket.
3. Position the drip tray according to the height of your cup:
 - For a tall cup, place the drip tray in the lower position by guiding it onto the magnetised plate on the HotCup™ water dispenser until secured in place.
 - For a shorter cup, turn the drip tray upside down and hook the lip of the tray into the positioning slot. The magnet will guide the drip tray into the correct position.
4. Place the drip tray inner and the stainless steel drip tray cover onto the drip tray.
5. Position your cup with a tea bag, coffee, sugar, etc. below the dispensing nozzle. Never operate your HotCup™ water dispenser without a cup or suitable container placed below the dispensing nozzle.
6. Turn the dispensing control to the required setting. The control adjusts the quantity of boiling water dispensed by your HotCup™ water dispenser. For smaller cups like teacups, set the control towards the ☹ setting; for larger cups like coffee mugs, set the control towards the ☐ setting. If you are not sure which setting to use, it's best to use a lower setting until you gain experience using your HotCup™ water dispenser.
7. Press the start button. The water reservoir, dispensing nozzle, and the window under the stop button will light up. If the start button doesn't start the appliance, check that the re-set button at the rear of the appliance is pressed in.
8. The selected quantity of boiling water will be dispensed into the cup and then stop. Alternatively, press the stop button to only dispense the amount of water you require.

Always keep your HotCup™ water dispenser topped up with water (between the MIN and MAX markings). That way you'll ensure that it's always ready to use and don't forget, unlike an ordinary kettle, this will have no effect on the energy your HotCup™ water dispenser uses.



cleaning and descaling


Cleaning

▲ Always switch off and unplug your HotCup™ water dispenser and allow it to completely cool before cleaning. Never immerse any part of the appliance (excluding the drip tray and stainless steel drip tray cover), power cord or plug in water or any other liquid. Do not use harsh abrasives, chemicals or oven cleaners.

Clean the exterior surface of the appliance with a damp cloth and then polish with a soft dry cloth. Do not use steel wool pads or harsh/abrasive cleaners.

Descaling

To ensure the safe and efficient operation of your HotCup™ water dispenser it is important to descale it regularly. The harder your water the more regularly it will need doing. Your water company should be able to tell you how hard the water is in your area. Untreated scale deposits prevent the element conducting heat efficiently therefore wasting electricity. Scale can also cause your HotCup™ water dispenser to malfunction or even cause premature failure.

We recommend that you set the dispensing control to  (for large cups or mugs) when descaling your HotCup™ water dispenser, to make sure that all of the water is dispensed from the appliance.

Using a proprietary descaling product

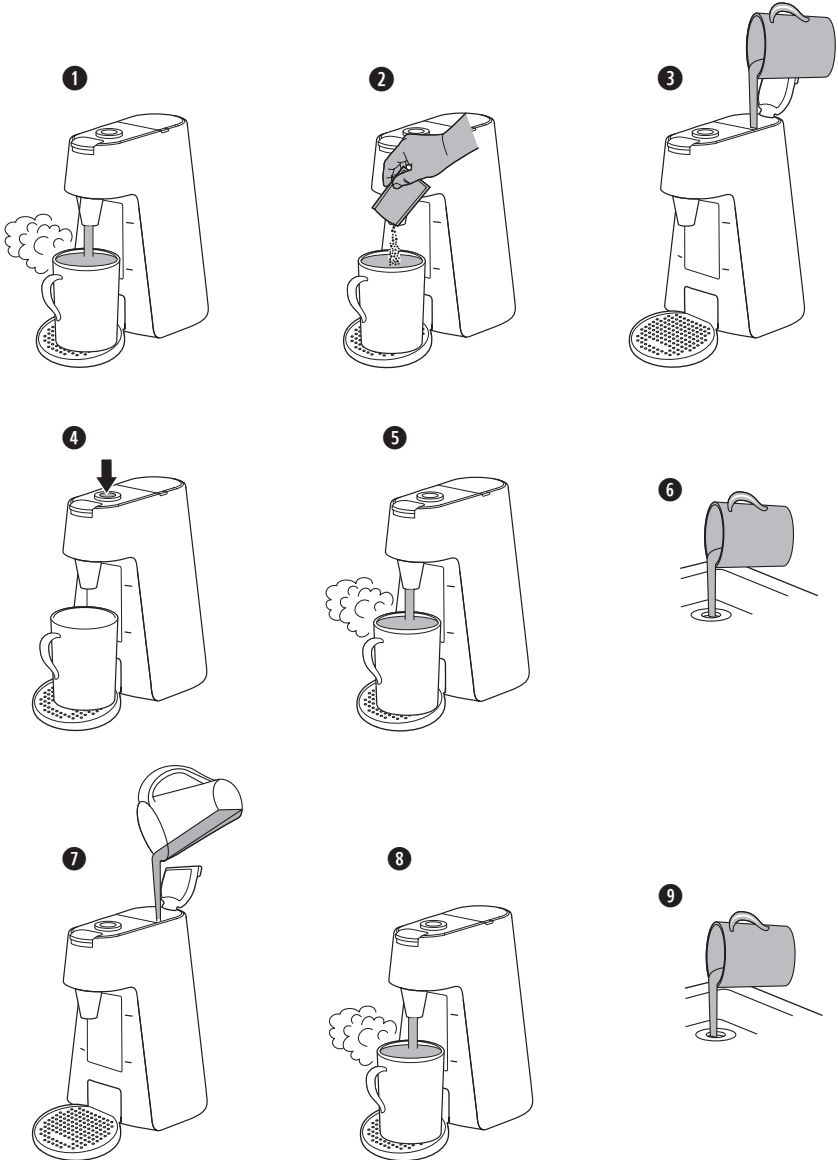
1. Fill your HotCup™ water dispenser to the MAX fill level and place an empty cup on the drip tray. Press the start button and wait for the water to be dispensed into the cup.
2. Add a citric acid-based descaling product to the hot water in the cup and stir.
3. Pour the contents of the cup into your HotCup™ water dispenser and close the lid.
4. Place the empty cup on the drip tray and press the start button.
5. Wait for the water to be dispensed into the cup.
6. Discard the water from the cup.
7. Repeat steps 4, 5 and 6 until the water reservoir is empty. Fill with fresh water to the MAX fill level and place an empty cup on the drip tray.
8. Press the start button and wait for the water to be dispensed into the cup.
9. Discard the water in the cup. Repeat steps 8 and 9 until the water reservoir is empty.

Using vinegar or citric acid

You can use ordinary vinegar (white or malt) or citric acid to descale your HotCup™ water dispenser. Inexpensive, ordinary vinegar can be purchased in large bottles from any supermarket. Citric acid can be bought from pharmacies, home brewing/winemaking suppliers or on-line retailers.

1. If you are using vinegar, make up a solution of 1 cup of vinegar to 1 cup of water. If you are using citric acid, mix 30g of the citric acid with 500ml of water.
2. Pour the solution into your HotCup™ water dispenser, close the lid and allow it to stand for 1 hour.
3. Cycle your HotCup™ water dispenser (as described in steps 4-6 above) until the water reservoir is empty.

4. Fill your HotCup™ water dispenser with fresh water to the MAX fill level and place an empty cup on the drip tray.
5. Press the start button and wait for the water to be dispensed into the cup.
6. Discard the water in the cup. Repeat steps 5 and 6 until water reservoir is empty.



troubleshooting

Problem	Possible Cause	Solution
The start button cannot be pressed.	<ul style="list-style-type: none">• The appliance has not reset itself after the boiling cycle.• The water level has dropped below the MIN level.• The appliance is not plugged in.	<ul style="list-style-type: none">• Check that the re-set button at the rear of the appliance is pushed in. If you can't push the button in, the appliance is still too hot after the last boil cycle. Wait a few seconds for it to cool slightly before trying again.• Check that the appliance is plugged in and switched on at the supply socket.• Check the fuse in the plug.• Top up the appliance with cold water to reduce the time it takes for it to cool down.
The appliance does not dispense a full cup of water.	The appliance has excessive scale.	Descale the appliance.
The appliance produces excess steam but does not dispense boiling water.	<ul style="list-style-type: none">• The water level has dropped below the MIN level.• The appliance has excessive scale.	<ul style="list-style-type: none">• Fill with water between the MIN and MAX markings then restart the boil cycle.• Descale the appliance.
The appliance makes a noise and there is a 'clunk' sound after water has been dispensed.	This is the sound of the internal valve operating after the boil cycle finishes.	This is normal operation.
Water drips from the dispensing nozzle after the boil cycle has finished.	There is a residual amount of water left inside the appliance after the boil cycle.	This is normal operation.
Steam comes out from behind the dispensing nozzle.	Steam is being vented in a controlled manner through designed vents.	This is normal operation.

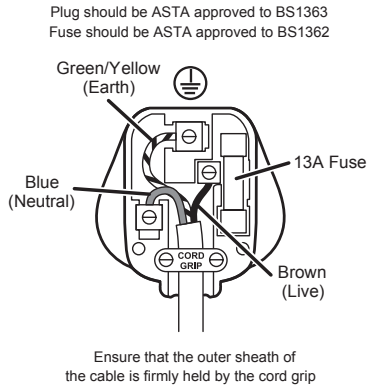
connection to the mains supply

If the plug is not suitable for the socket outlets in your home, it can be removed and replaced by a plug of the correct type.

If the fuse in a moulded plug needs to be changed, the fuse cover must be refitted. The appliance must not be used without the fuse cover fitted.

If the plug is unsuitable, it should be dismantled and removed from the supply cord and an appropriate plug fitted as detailed. If you remove the plug it must not be connected to a 13 amp socket and the plug must be disposed of immediately.

If the terminals in the plug are not marked or if you are unsure about the installation of the plug please contact a qualified electrician.



after sales service

These appliances are built to the very highest of standards. There are no user serviceable parts. Follow these steps if the appliance fails to operate:

1. Check the instructions have been followed correctly.
2. Check that the fuse has not blown.
3. Check that the mains supply is functional.

If the appliance will still not operate, return it to the place it was purchased for a replacement. To return the appliance to the Customer Service Department, follow the steps below:

1. Pack it carefully (preferably in the original carton). Ensure the appliance is clean.
2. Enclose your name and address and quote the model number on all correspondence.
3. Give the reason why you are returning it.
4. If within the guarantee period, state when and where it was purchased and include proof of purchase (e.g. till receipt).
5. Send it to our Customer Service Department at the address below:

Customer Service Department

Jarden Consumer Solutions (Europe) Limited

Middleton Road, Royton, Oldham

OL2 5LN, UK

Telephone: 0161 621 6900 Fax: 0161 626 0391

e-mail: enquiriesEurope@jardencs.com

Turn on your creativity™

Let the Breville® team help you turn on your creativity with a gateway to a world of food and drinks without limits. You don't have to travel far—just to your computer, tablet or mobile—where you will discover our FREE website with top tips and recipes to inspire your imagination. Join us now at: **www.turnonyourcreativity.com**

Turn  your creativity®

Please keep your receipt as this will be required for any claims under this guarantee.

This appliance is guaranteed for 1 year after your purchase as described in this document.

During this guaranteed period, if in the unlikely event the appliance no longer functions due to a design or manufacturing fault, please take it back to the place of purchase, with your till receipt and a copy of this guarantee.

The rights and benefits under this guarantee are additional to your statutory rights, which are not affected by this guarantee. Only Jarden Consumer Solutions (Europe) Limited. ("JCS (Europe)") has the right to change these terms.

JCS (Europe) undertakes within the guarantee period to repair or replace the appliance, or any part of appliance found to be not working properly free of charge provided that:

- you promptly notify the place of purchase or JCS (Europe) of the problem; and
- the appliance has not been altered in any way or subjected to damage, misuse, abuse, repair or alteration by a person other than a person authorised by JCS (Europe).

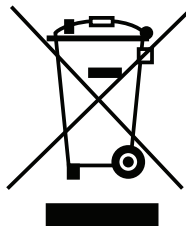
Faults that occur through, improper use, damage, abuse, use with incorrect voltage, acts of nature, events beyond the control of JCS (Europe), repair or alteration by a person other than a person authorised by JCS (Europe) or failure to follow instructions for use are not covered by this guarantee. Additionally, normal wear and tear, including, but not limited to, minor discoloration and scratches are not covered by this guarantee.

The rights under this guarantee shall only apply to the original purchaser and shall not extend to commercial or communal use.

If your appliance includes a country-specific guarantee or warranty insert please refer to the terms and conditions of such guarantee or warranty in place of this guarantee or contact your local authorized dealer for more information.

Waste electrical products should not be disposed of with Household waste. Please recycle where facilities exist. E-mail us at enquiriesEurope@jardencs.com for further recycling and WEEE information.

Jarden Consumer Solutions (Europe) Limited
5400 Lakeside
Cheadle Royal Business Park
Cheadle
SK8 3GQ
UK



Breville®

Jarden Consumer Solutions (Europe) Limited
Cheadle Royal Business Park, Cheadle, SK8 3GQ, United Kingdom
e-mail: enquiriesEurope@jardencs.com
Telephone: 0161 621 6900



For Customer Service details, please see the website.

www.breville.co.uk

© 2017 Jarden Consumer Solutions (Europe) Limited

All rights reserved. Imported and distributed by Jarden Consumer Solutions (Europe) Limited
5400 Lakeside, Cheadle Royal Business Park, Cheadle, SK8 3GQ, United Kingdom.

Jarden Consumer Solutions (Europe) Limited is a subsidiary of Newell Brands Inc. (NYSE: NWL).

The product supplied may differ slightly from the one illustrated due to continuing product development.

Printed in China